



# **SAMI** AUTOCHOPPER

# Spare Parts

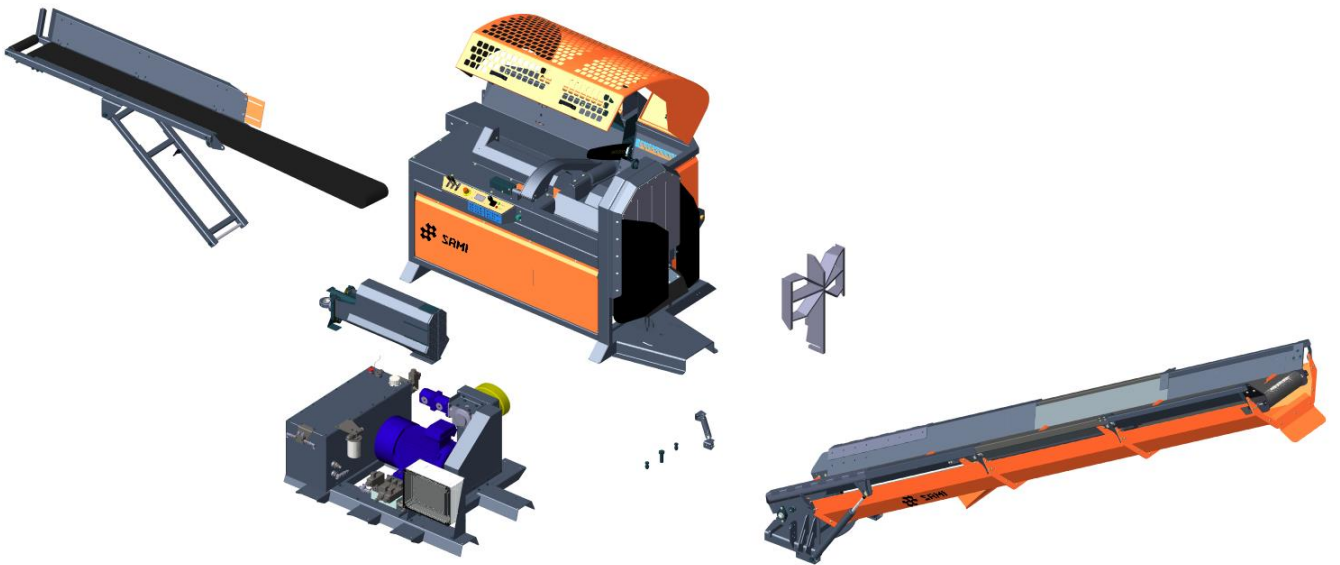
## SAMI Autochopper

Rev. 12, corrected 21.12.2016

S110 -EC440  
S180 -EC440

S110 -TC440  
S185 -TC440

S110 -TEC440  
S185 -TEC440

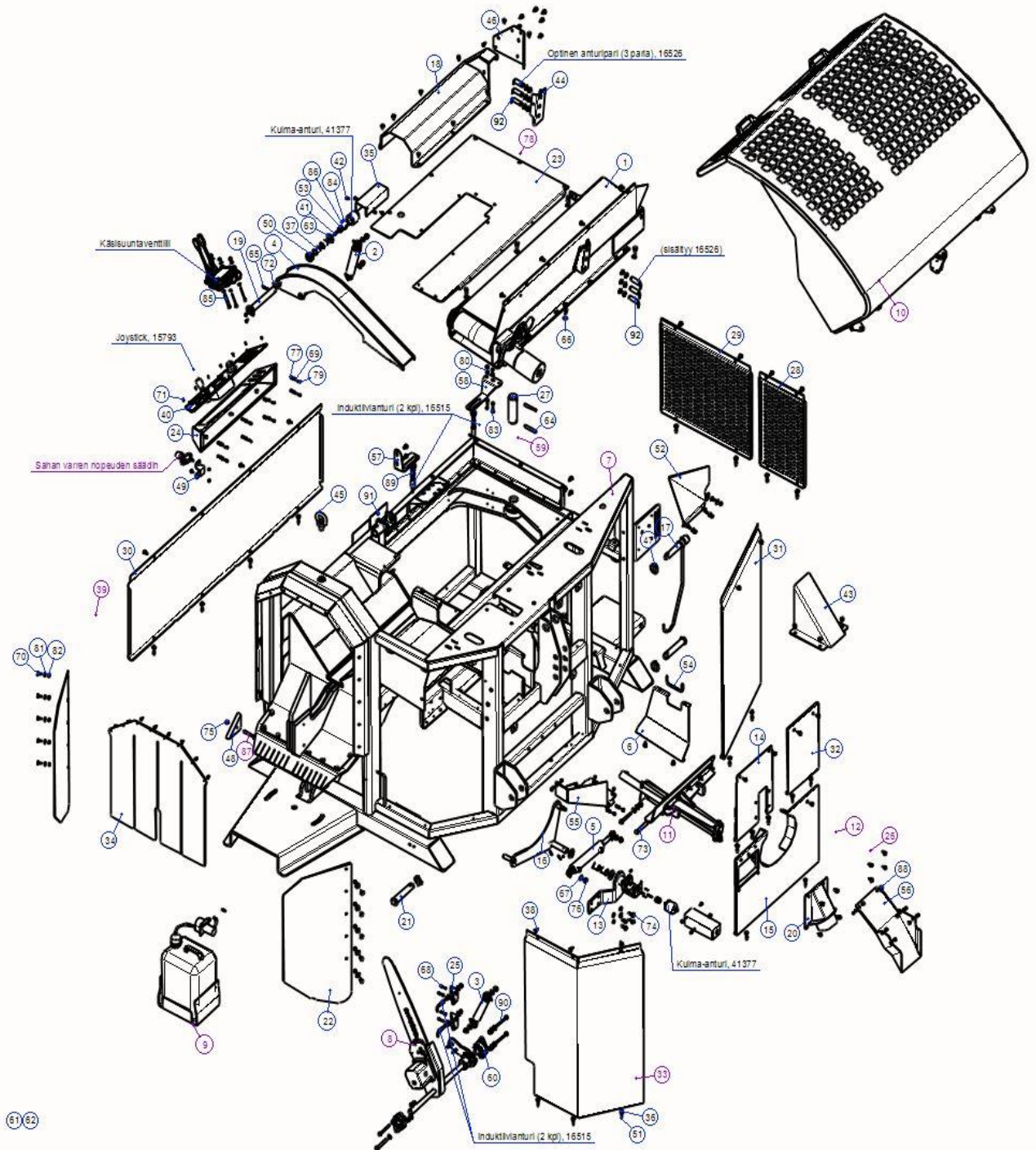


**SAMI**  
SAMI-FINLAND.COM

## Content

1	Machine core, 16800	3
2	Cutting unit, 16750, Oregon and Iggesund saw bars	6
3	Feed table 60505	8
4	Pusher, 42510	9
4.1	Pusher, 16719 (old version)	10
5	Feed table, 41284	11
6	Lower support of the feed conveyor, 41339	13
7	Log lifter, 41285	14
8	Log lifter swing, 41351	15
9	Log lifter swing, 41371	16
10	Discharge conveyor, 41700	17
10.1	Discharge conveyor belt, 41723	19
10.2	Discharge conveyor lower guard	19
11	Splitting piston S110-, 16783	20
12	Splitting piston S185-, 16782	21
13	Component base S110-TC440, 60621	22
14	Component base S185-TC440, 60622	23
15	Component base S110-TEC440, 60624	24
16	Component base S185-TEC440, 60625	26
17	Component base S185-EC440, 60619	28
18	Hydraulic block components, 60580	30
19	Oil tank components, 41387	31
18	Saw chain lubrication unit	32
19	Electrical and control components	33
20	Hydraulic hoses and valves	35
20.1	Valve block hoses	35
20.2	Splitting valve hoses	37
20.3	Lock valve hoses	38
20.4	Feed conveyor hoses and other models' suction hoses	39
20.5	Chainsaw hoses	40
20.6	Oil cooler and oil filter hoses	41
20.7	Hydraulic pump and LS-valve hoses (TEC)	42
20.8	Hydraulic pump and LS-valve hoses (TC)	43
20.9	Hydraulic pump and LS-valve hoses (EC)	44
21	Hydraulic system options	45
22	Splitting wedges models	46

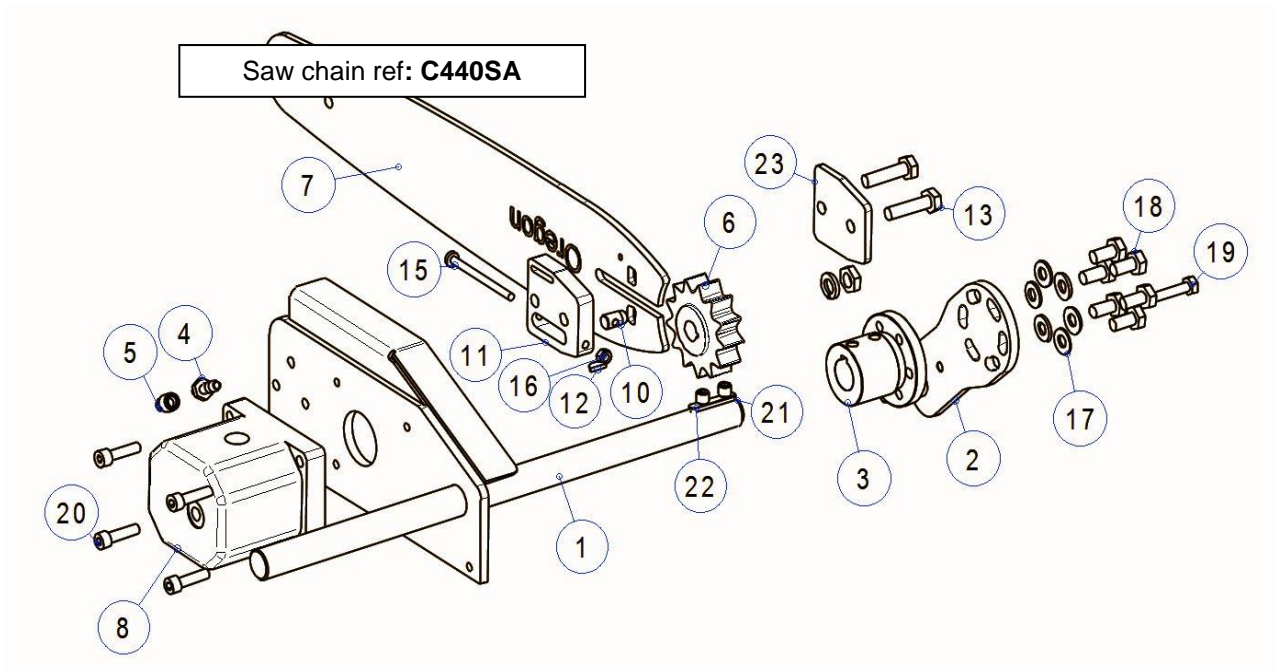
## Machine core, 16800



Part	Reference	Naming	Amount
1	60505	Infeed plate	1
2	16440	Hydraulic cylinder	1
3	16470	Hydraulic cylinder	1
4	60873	Presser	1
5	16450	Hydraulic cylinder	1
6	16454	Guard plate, sawdust extraction	1
7	16720	Structure	1
8	16750	Cutting unit, 54cm flange	1
9	16760	Lubrication system, chain blade	1
10	60680	Protective cover	1
11	42510	Pusher, assembled, M1303	1
12	130101	Measure sticker 60x450	1
13	16395	Sensor holder, axe	1
14	16409	Guard plate, welded	1
15	16412	Guard plate, angle gear	1
16	16480	Lever, axe	1
17	14197	Cardan shaft support	1
18	16696	Splitting piston tunnel	1
19	41508	Pin	1
20	16611	Nozzle, sawdust extractor, welded	1
21	16527	Pin, pulling arm	2
22	16509	Plastic plate	2
23	16699	Cover plate	1
24	16274	Casing, control panel	1
25	16452	Inductive sensor fitting	2
26	41911	Power plug holder	1
27	16344	Pin, cylinder	1
28	16164	Guard plate	1
29	16256	Guard plate	1
30	16342	Guard plate	1
31	16224	Guard plate	1
32	16458	Guard plate	1
33	16343	Guard plate	1
34	16443	Plastic guard plate	1
35	16392	Casing, angle sensor	2
36	16045	Bump stop	20
37	270150	270150 25/ 28x 30 WB700 25 28 30	4
38	16444	Nut DIN 6921-8.8 M8X16 ZN	64
39	6290	One-way restrictor valve FPSU 3/8"	1
40	16756	Control panel	1
41	16496	Shaft pin, angle sensor	2
42	16498	Nut DIN 6921-8.8 M6X12 ZN	27
43	16658	Guard plate, flange	1
44	16694	Sensor mounting plate	1
45	T580M20	Lifting eye bolt DIN 580 ZN M20	1
46	16695	Back plate	1
47	T914M1045	Linch pin 10x45	3
48	16532	Support piece, body	1
49	16535	Support plate, flange speed controller	1

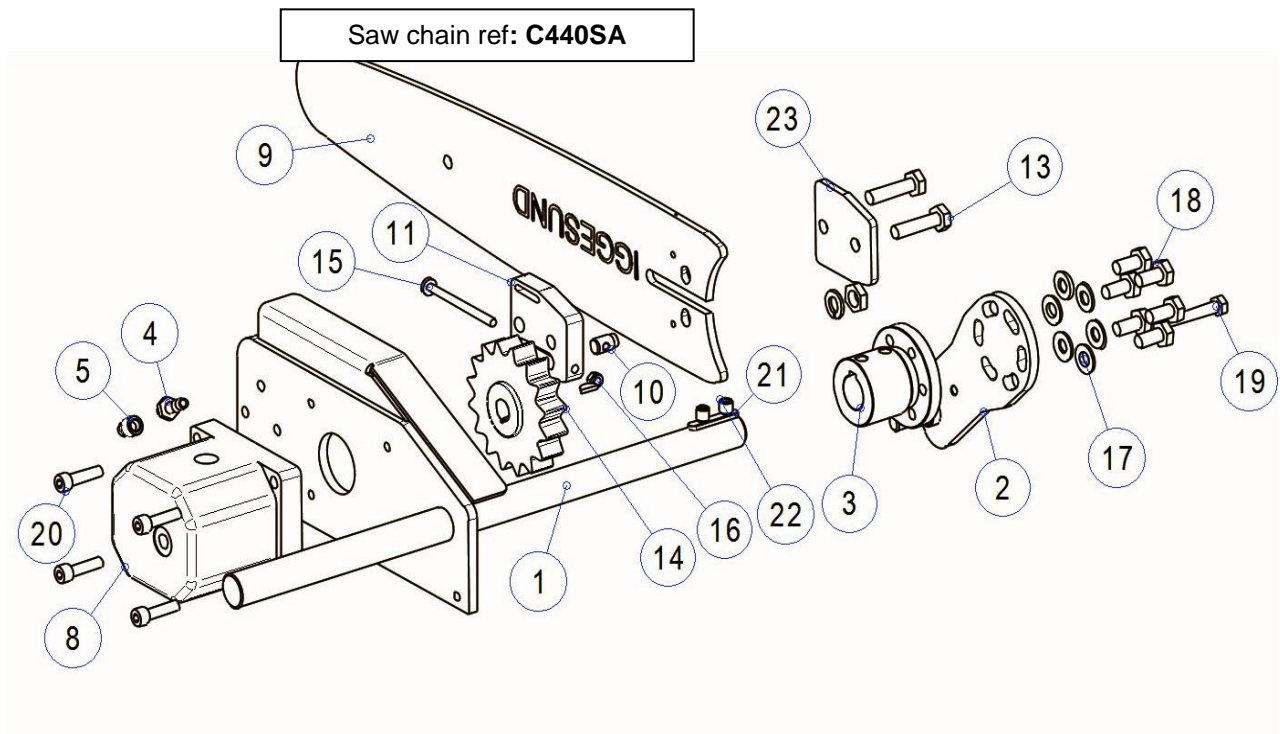
50	41484	Sleeve	1
51	16306	Pin	20
52	16566	Deflective plate	1
53	41378	Step switch	2
54	16523	U-shaped protective band 10/1-2mm	1
55	16609	Guard plate, sawdust	1
56	16638	Guard plate, sawdust extractor	1
57	16687	Limit holder	1
58	16735	Limit holder	1
59		DIN_EN_24035-AM16	1
60	FYTB 25 TF	Flange mounted bearing	2
61	16528	Tarpaulin	1
62	16529	Tie-down strap	1
63		Washer	3
64	1481-10x70	Spring pin	2
65	1481-6x36	Spring pin	3
66		Washer	18
67		Washer	10
68		Hexagon socket screw	4
69		Washer	27
70		Carriage bolt	21
71		Tapping screw	12
72		Set screw	2
73		Hexagon head screw, partially threaded	2
74		Hexagon head screw	10
75		Nyloc nut	5
76		Nyloc nut	8
77		Nyloc nut	17
78		DIN_EN_28675-AM16	1
79		Hexagon socket screw	8
80		Washer	10
81	9021-8	Washer	13
82		Nyloc nut	18
83		Hexagon socket screw	2
84		Washer	6
85		Hexagon socket screw	3
86		Torx screw M3x10	6
87		Hexagon head screw	1
88		Carriage bolt	4
89		Serrated washer	8
90		Hexagon head screw	4
91	TBN40047M6x1	Grease nipple	2
92	16526	Light sensor Ø18	6
93	130103	Sticker, Autosorter commands	1
94	130104	Sticker, Autochopper commands	1
95	41792	Trash flap Vol 3	1

## 2.Cutting unit 16750, Oregon and Iggesund saw bars



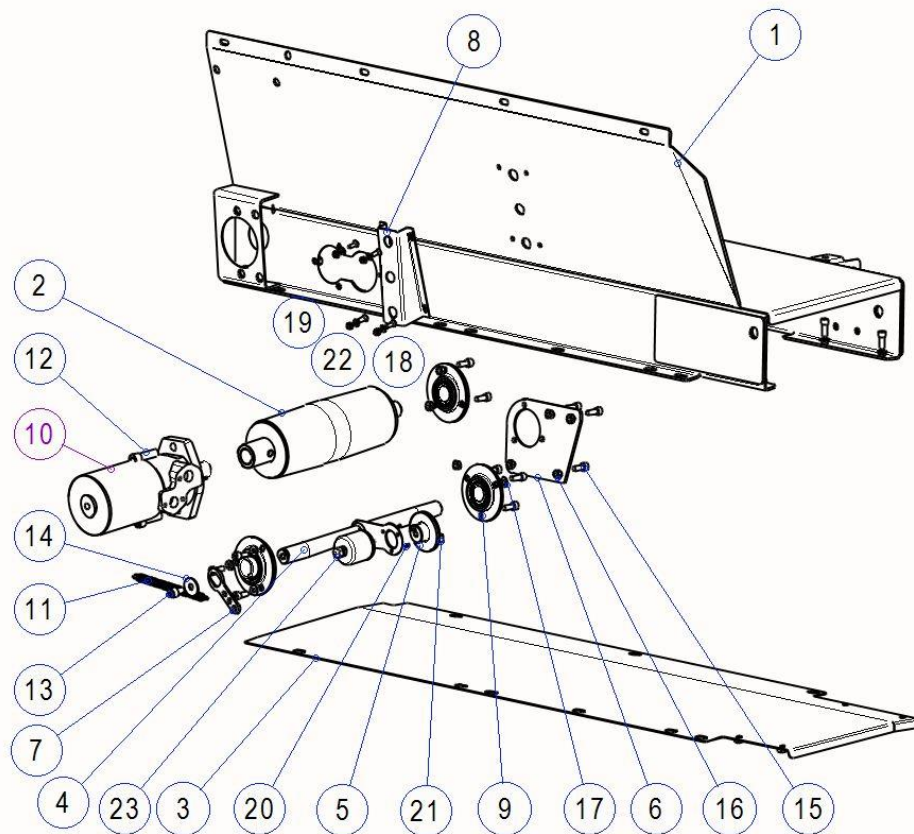
*Old model*

Part	Reference	Naming	Standard	Form, measures	Material	Amount
1	16160	Shaft, flange				1
2	16317	Lever, flange				1
3	41459	Hub				1
4	16445	A 190901 tube fitting 1/8"				1
5	16446	A10 elbow fitting 1/8, SK/UK				1
6	16539	Chain wheel Z=13 (old)				1
7	41396	Saw blade, Oregon 16H 54cm (old)				1
8	15204	Hydraulic motor 2SMA6DW-10G				1
10	15329	Tightener pin				1
11	15547	Tightener plate				1
12	15205	Wedge for hydraulic motor				1
13	T933M1040	Hexagon head screw M10x40	DIN_EN_240		8,8	2
15		Cross-headed screw		DIN_7985-M6x80		1
16		Nyloc nut		DIN_EN_ISO10511-M6		1
17	T125M10	Washer M10	DIN_125-A			6
18		Hexagon head screw		DIN_EN_24017-M10x20		6
19		Hexagon head screw		DIN_EN_24017-M8x50		1
20		Hexagon socket screw M8x30	DIN_EN_ISO		8,8	4
21	T6885A8730	Parallel key				1
22		DIN_913-M10x10				2
23	15548	Fastening plate				1



Part	Reference	Naming	Standard	Form, measures	Material	Amount
1	16160	Shaft, flange				1
2	16317	Lever, flange				1
3	41459	Hub				1
4	16445	A 190901 tube fitting 1/8"				1
5	16446	A10 elbow fitting 1/8, SK/UK				1
8	15204	Hydraulic motor 2SMA6DW-10G				1
9	16805	Saw blade, Iggesund 515 mm				1
10	15329	Tightener pin				1
11	15547	Tightener plate				1
12	15205	Wedge for hydraulic motor				1
13	T933M1040	Hexagon head screw M10x40	DIN_EN_240		8,8	2
14	16536	Chain wheel Z=16		DIN_7985-M6x80		1
15		Cross-headed screw		DIN_EN_ISO10511-M6		1
16		Nyloc nut	DIN_125-A			6
17	T125M10	Washer M10		DIN_EN_24017-M10x20		6
18		Hexagon head screw		DIN_EN_24017-M8x50		1
19		Hexagon head screw	DIN_EN_ISO		8,8	4
20		Hexagon socket screw M8x30				1
21	T6885A8730	Parallel key				2
22		DIN_913-M10x10				1
23	15548	Fastening plate				1

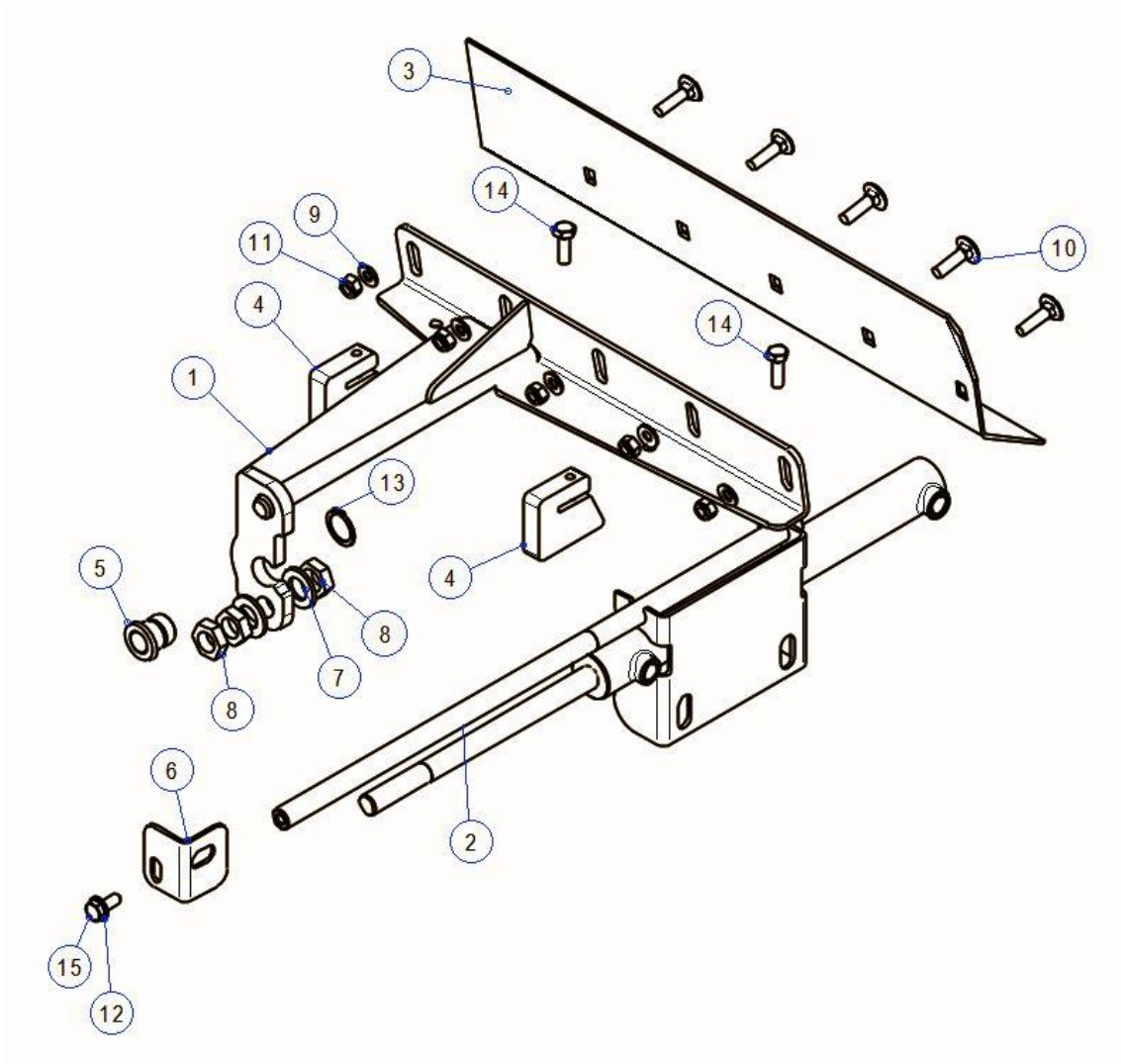
### 3 Feed table, 60505



Part	Reference	Naming	Form, measures	Material	Amount
1	16722	Top side of feed table			1
2	60517	Roller			1
3	60521	Under plate			1
4	41382	Encoder arm			1
5	41384	Measuring wheel			1
6	60523	Support plate			1
7	60524	Lever			1
8	16725	Holder, identification sensor			1
9	60502	Flange-mounted bearing			3
10	13129	Hydraulic motor CPM400CD			1
11	T3439	Spring SF-DF-3439 Lesjöfors			1
12	4762-M12x40	Hexagon socket screw	M12x40	8,8	2
13	4762-M10x16	Hexagon socket screw	M10x16	8,8	1
14	9021-10	Washer	10 (10.5x30x2.5)	steel	1
15	4762-M8x20	Hexagon socket screw	M8x20	8,8	17
16	24032-M8	Hexagonal nut	M8x20	8,8	8
17	125-A8.4	Washer, flat	Ø8.4 (M8)	steel	13
18	10642-M6x16	Hexagon socket screw	M6x16	8,8	4
19		Nyloc nut	DIN_EN_ISO_10511-M6		4
20		Hexagon socket screw, sloping	M3x8		3
21		Socket setscrew	M6x12		1
22		Washer	DIN_125-A6.4		4
23	MRV 50	Angle sensor			1

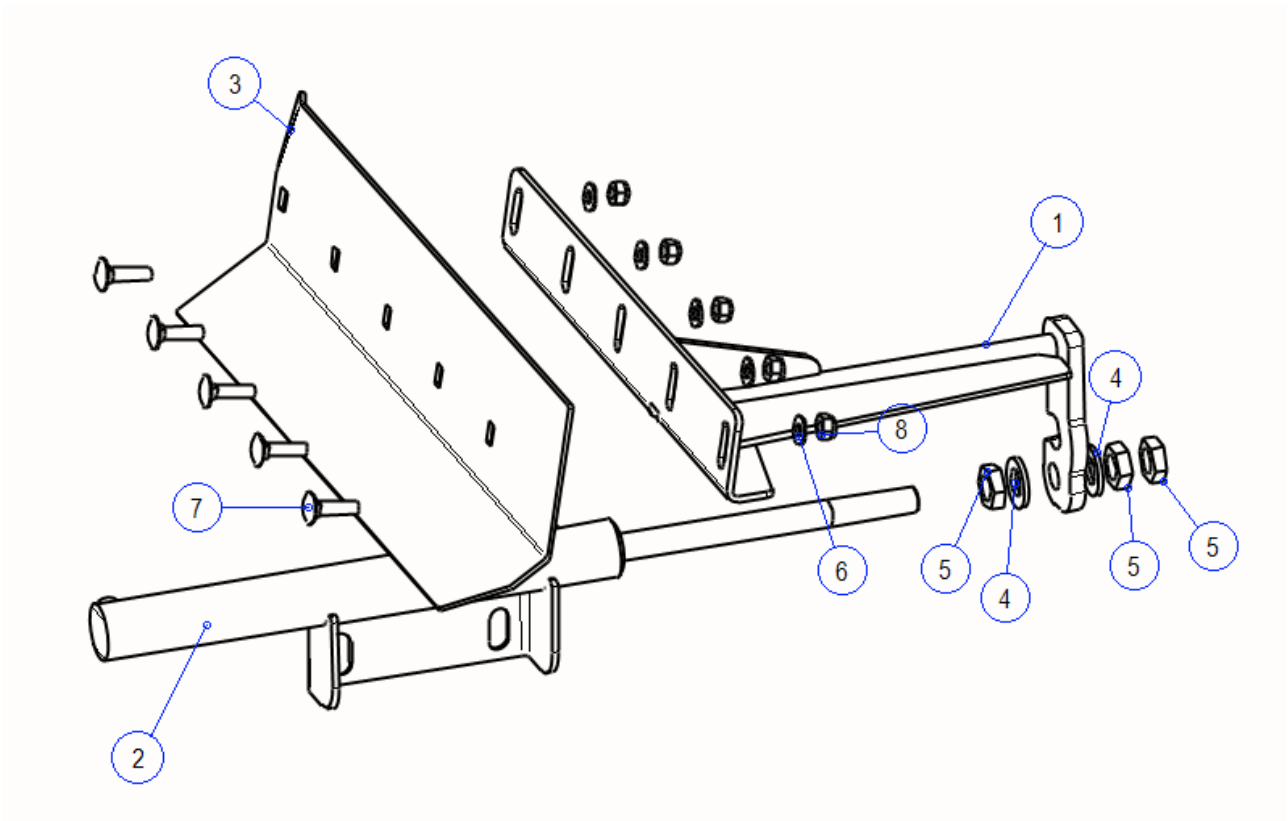


### 4 Pusher, 42510



Part	Reference	Naming	Form, measures, material	Amount
1	16621	Pusher ram M1303		1
2	42506	Pusher cylinder, welded, M1303		1
3	41791	Pusher plate		1
4	42505	Pusher slide		2
5	42508	Slide sleeve		1
6	42513	End retainer		1
7		Washer	DIN_125-A17	2
8		Hexagonal nut, M16x1.5 ZN, low	DIN_936	3
9		Washer	DIN_125-A8.4	5
10		Lock cap screw	DIN_603-M8x30	5
11		Nyloc nut	DIN_EN_ISO_10511-M8	5
12	125-A8.4	Washer, flat	DIN_125 8.4 (M8) steel	1
13	471-22x12	Retaining ring for the shaft	DIN_471 22x1.2 steel	1
14	24017-M8x25	Hex screw, full thread	EN_24017 M8x25 8.8	2
15	24017-M8x20	Hex screw, full thread	EN_24017 M8x20 8.8	1

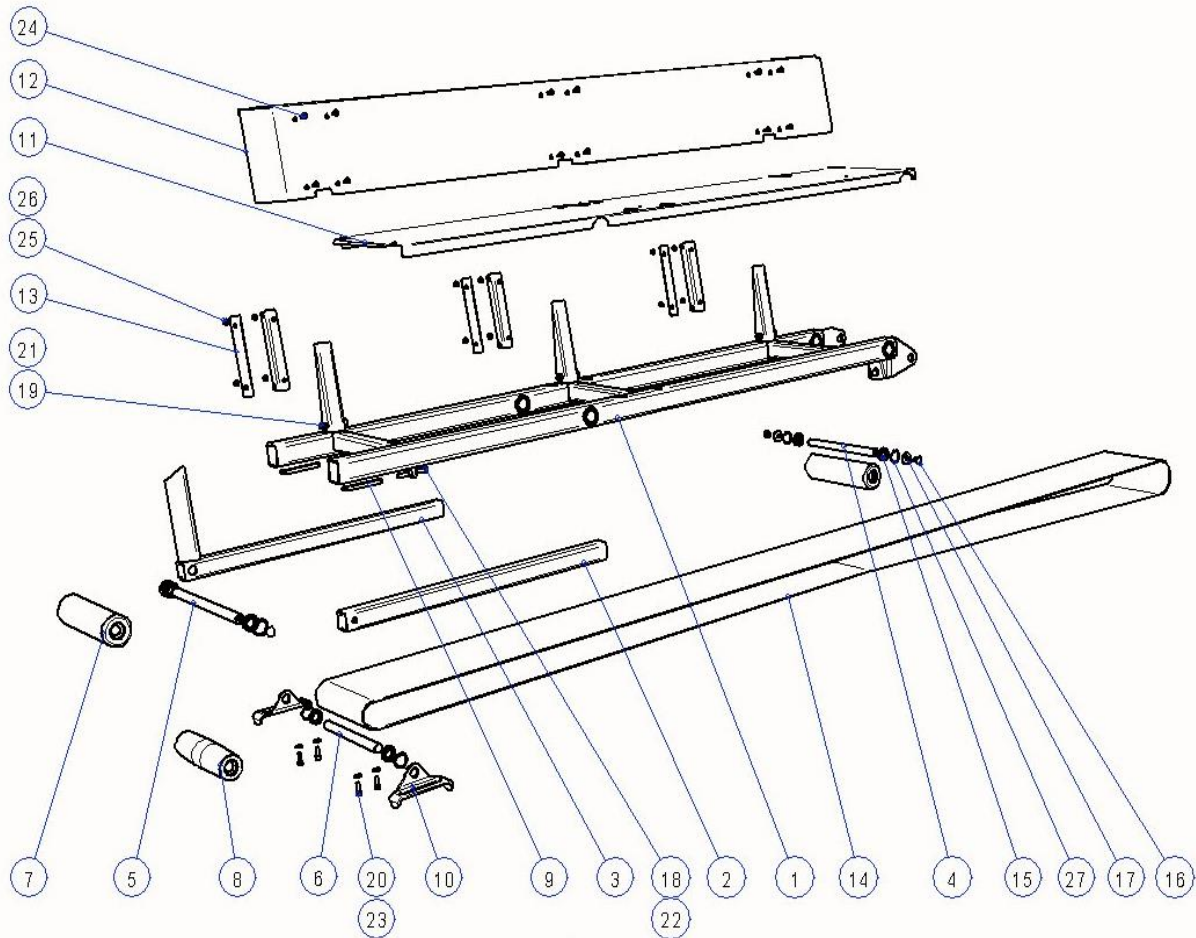
#### 4.1 Pusher, 16719



*Old version*

Part	Reference	Naming	Form, measures, material	Amount
1	16621	Pusher ram M1303		1
2	16416	Pusher cylinder		1
3	41791	Pusher plate		1
4		Washer	DIN_125-A17	2
5		Hexagonal nut, M16x1.5 ZN, low	DIN 936	3
6		Washer	DIN_125-A8.4	5
7		Lock cap screw	DIN_603-M8x30	5
8		Nyloc nut	DIN_EN_ISO_10511-M8	5

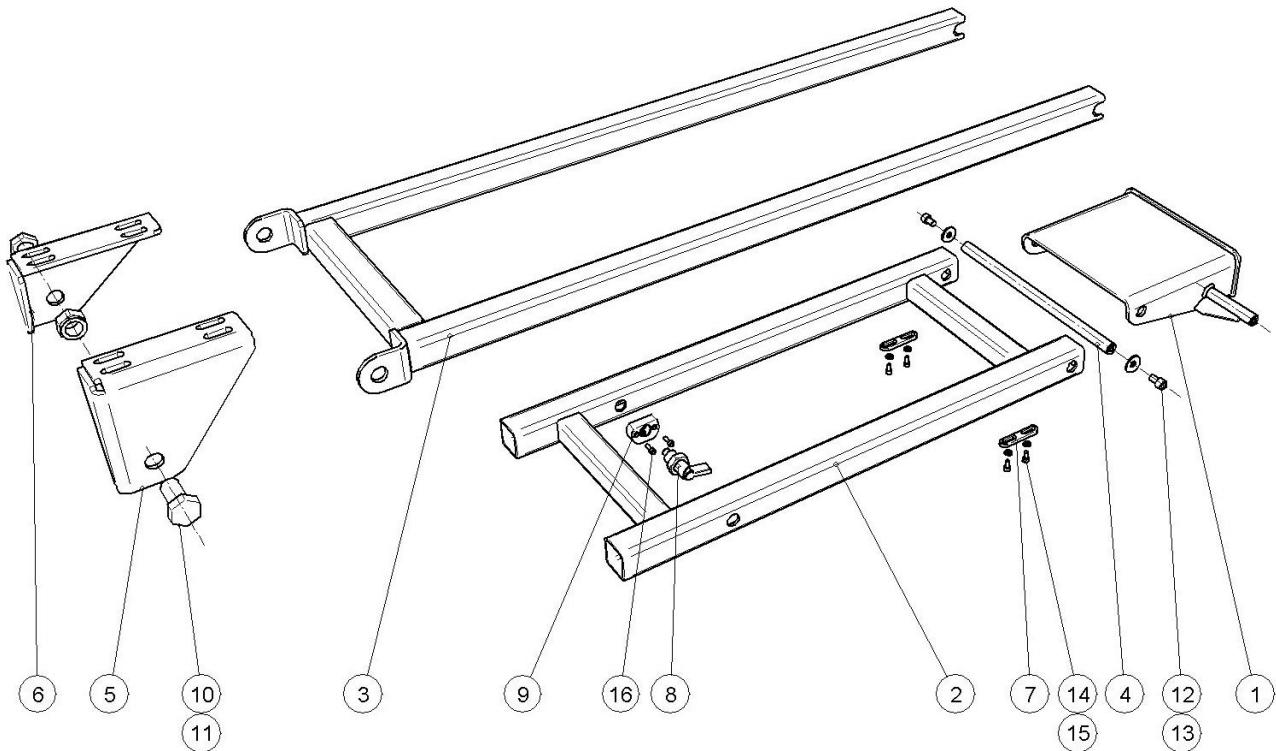
## 5 Feed table, 41284



Part	Reference	Naming	Standard	Form, measures	Amount
1	41342	Feed conveyor frame			1
2	40850	Extension tube			1
3	40851	Extension tube			1
4	40849	Pin			1
5	40842	Pin			1
6	40855	Pin			1
7	40841	Roll			2
8	40848	Roll			1
9	40844	Screw plate			2
10	40840	Roll bracket			2
11	41344	Cover plate			1
12	41282	Back plate			1
13	41288	Hinge plate			6
14	40791	Conveying belt			1
15	d20_D32_B7_61804	Bearing		d20_D32_B7	6
16		Hexagonal screw	EN 24017	M10x12	4
17	9021-10	Washer	DIN9021	10 (10.5x30x2.5)	2
18		Hexagon head screw, full threaded	EN 24017	M8x80	2
19		Hexagon socket countersunk screw	EN 4762	M8x60	3
20	4762-M8x20	Hexagon socket countersunk screw	ENISO4762	M8x20	4
21	10511-M8	Hexagonal nut	ENISO10511	M8	3
22	24032-M8	Hexagonal nut	EN24032	M8	2
23	125-A8.4	Washer, flat	DIN125	Ø8.4 (M8)	4

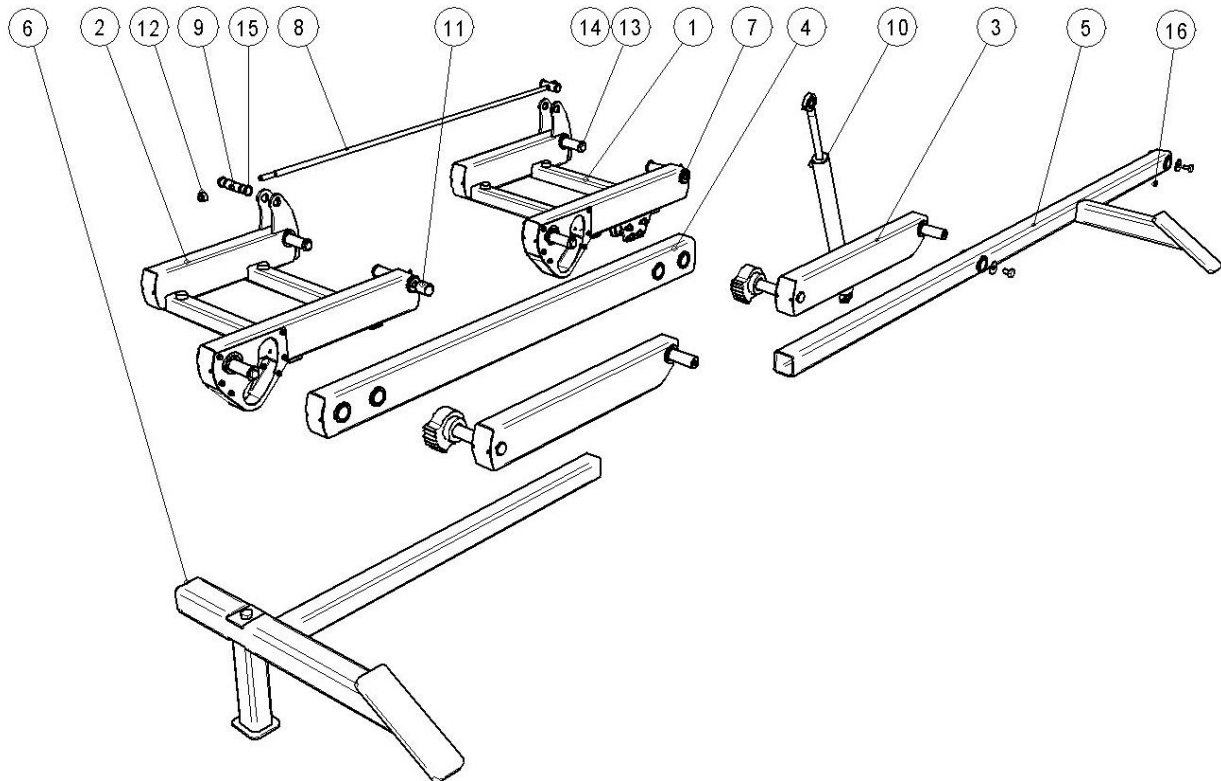
24		Angled socket allen screw	EN 10642	M6x16	18
25	24032-M6	Hexagonal nut	EN24032	M6	12
26	125-A6.4	Washer, flat	DIN125	Ø6.4 (M6)	12
27	472-32x1.2	Internal retaining ring	DIN472	32x1.2	6

## 6 Lower support of the feed conveyor, 41339



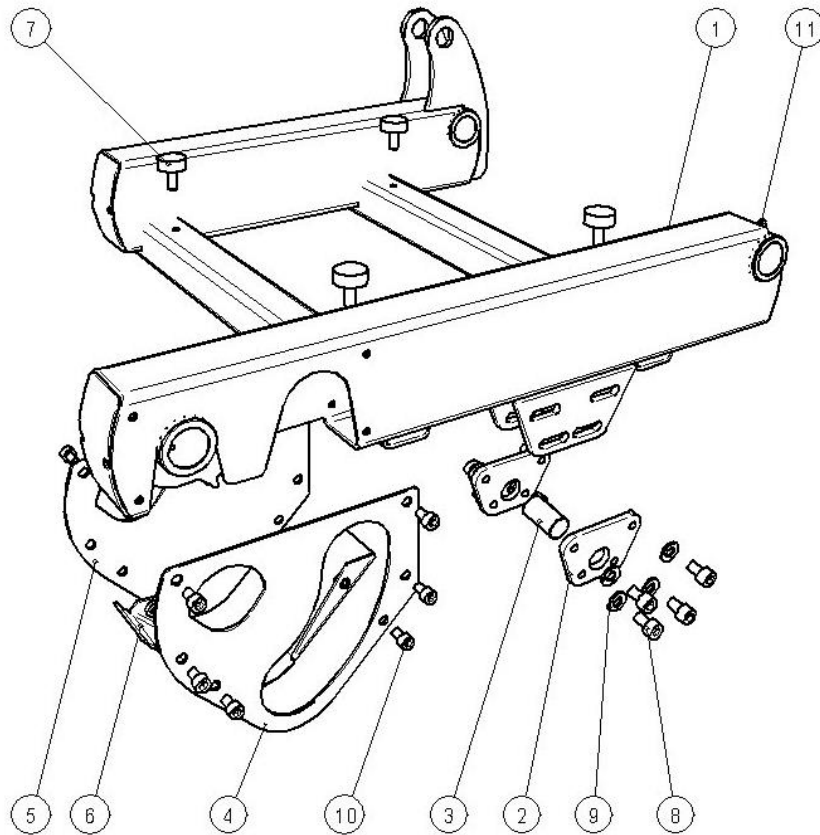
Part	Reference	Naming	Standard	Form, measures	Amount
1	41340	Feed conveyor base frame			1
2	40751	Under side of feed table support			1
3	40790	Top side of feed table support			1
4	40809	Pin			1
5	40816	Feed table lug			1
6	40836	Feed table lug			1
7	40846	Stopper			2
8	60748	Locking lever			1
9	60749	Locking lever socket			1
10	24017-M20x40	Hexagon head screw, full threaded	EN24017	M20x40	2
11	10511-M20	Hexagonal nut	ENISO10511	M20	2
12		Hexagon socket countersunk screw	EN 4762	M10x16	2
13	9021-10	Washer	DIN9021	10 (10.5x30x2.5)	2
14	4762-M6x12	Hexagon socket countersunk screw	ENISO4762	M6x12	4
15	125-A6.4	Washer, flat	DIN125	Ø6.4 (M6)	4
16	4762-M5x14	Hexagon socket countersunk screw	ENISO4762	M5x14	2

## 7 Log lifter, 41285



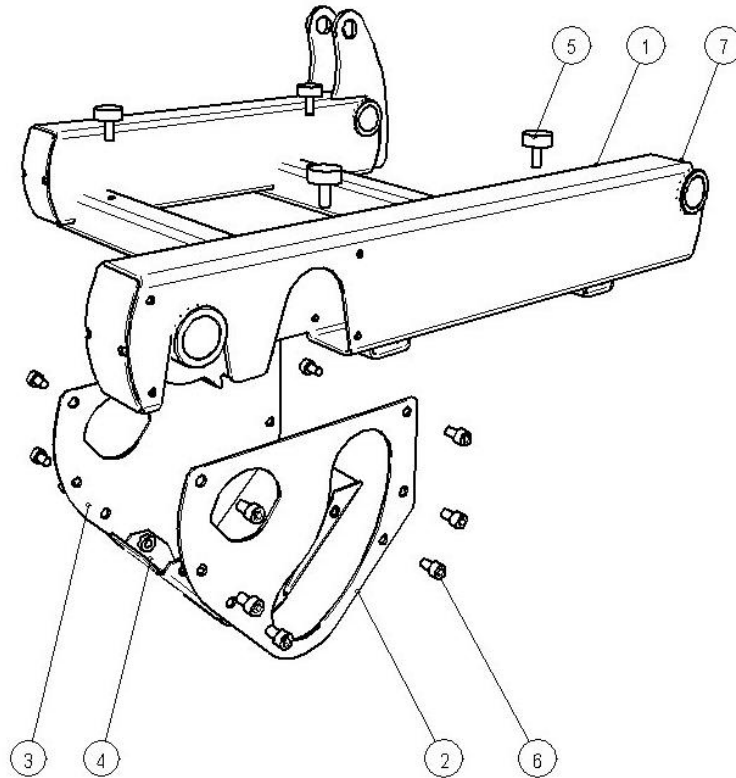
Part	Reference	Naming	Standard	Form, measures	Amount
1	41351	Swing, assembled			1
2	41371	Swing, assembled			1
3	40824	Arm, assembled			2
4	40765	Horizontal beam			1
6	41291	Lower beam extension			1
7	41376	Pin			6
8	41025	Draw bar			1
9	41026	Pin			2
10	41267	Hydraulic cylinder			1
11	270150	270150 25/ 28x 30 WB700 25 28 29			20
12		Hexagonal nut M12	EN 10511	M12	2
13	24017-M10x16	Hexagon head screw, full threaded, M10x16	EN24017	M10x16	8
14	9021-10	Washer 10 10.5x30x2.5	DIN9021	10 10.5x30x2.5)	8
15	471-20x1.2	Axle retaining ring 20x1.2	DIN471	20x1.2	4
16	TBN40047M6x1	Grease nipple M6		M6	6

## 8 Log lifter swing, 41351



Part	Reference	Naming	Standard	Form, measures	Amount
1	41352	Swing frame			1
2	40822	Cylinder lug			2
3	40814	Pin			1
4	41358	Guard plate			1
5	41359	Guard plate			1
6	41370	Guard plate			1
7	511265	Ram $\varnothing 25/M8 - 10$	Paulstra	$\varnothing 25/M8 - 10$	4
8		Hexagon socket countersunk screw M8x12	EN_4762	M8x12	8
9		Washer M8	DIN_125	$\varnothing 8.4 (M8)$	8
10		Hexagon socket countersunk screw M6x10	EN_4762	M6x10	12
11	TBN40047M6x1	Grease nipple M6		M6	3

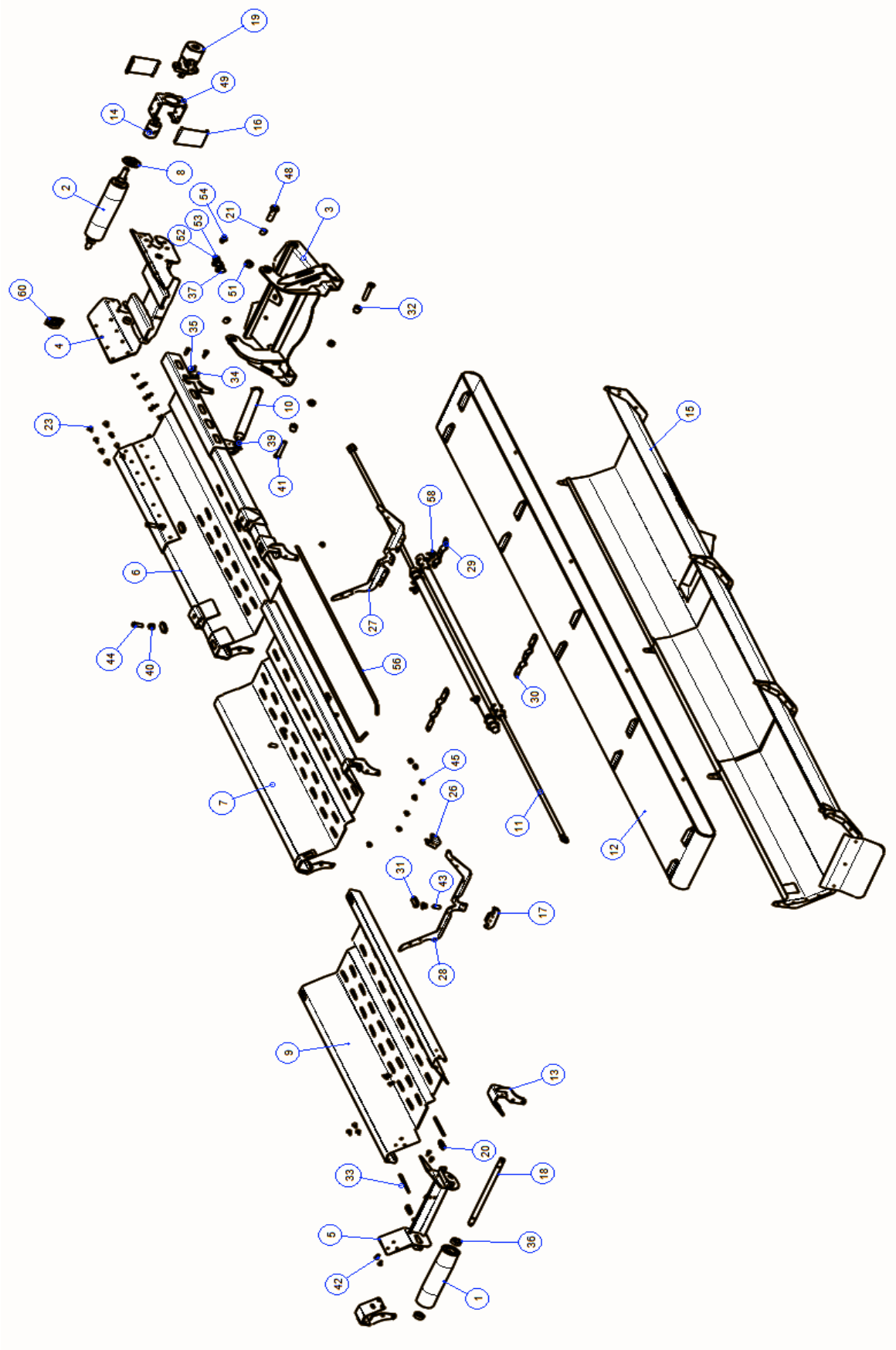
## 9 Log lifter swing, 41371



Part	Reference	Naming	Standard	Form, measures	Amount
1	41372	Swing frame			1
2	41358	Guard plate			1
3	41359	Guard plate			1
4	41370	Guard plate			1
5	511265	Ram Ø25/M8 - 10		Ø25/M8 - 10	4
6		Hexagon socket countersunk screw M6x10	EN 4762	M6x10	12
7	TBN40047M6x1	Grease nipple M6		M6	3

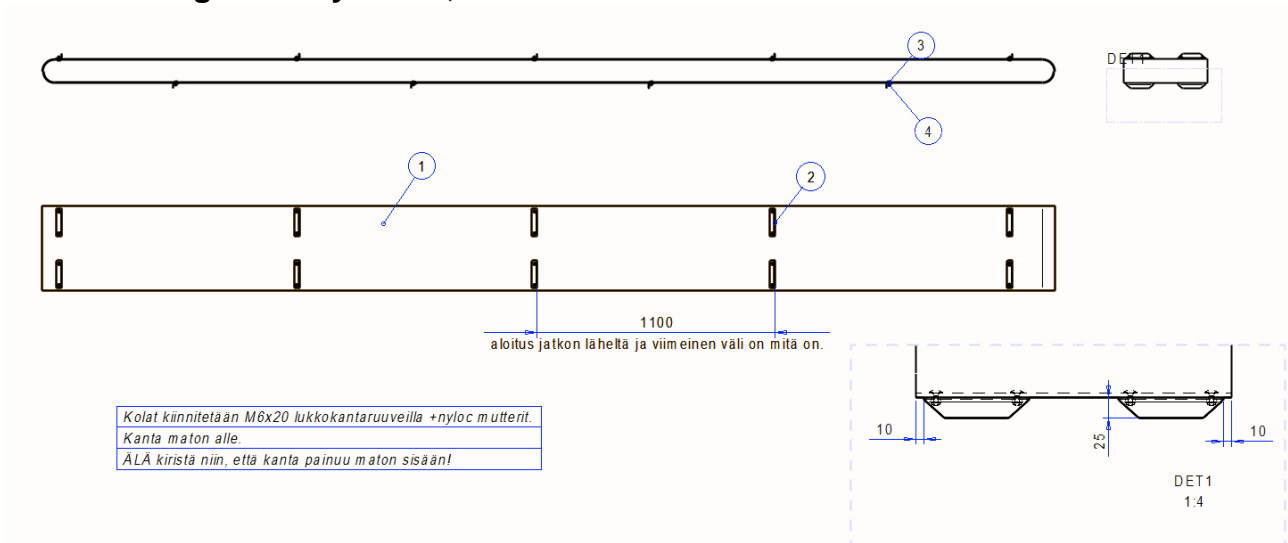


### 10 Discharge conveyor, 41700



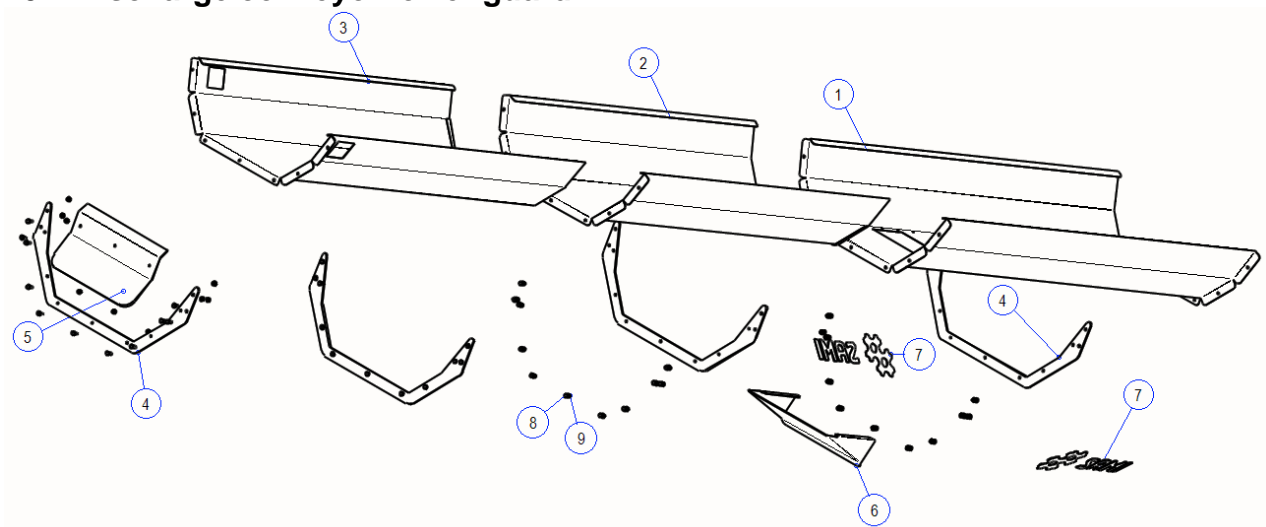
Part	Reference	Naming	Form, measures	Amount
1	41704	Free roller		1
2	41742	Driving roller		1
3	41735	Swivel bracket		1
4	41701	Lower frame		1
5	41702	Upper frame		1
6	41724	Telescopic plate frame (lower part)		1
7	41725	Sliding plate (middle part)		1
8	60502	Flange-mounted bearing		1
9	41789	Telescopic upper plate (upper part)		1
10	41267	Hydraulic cylinder		2
11	41665	Cylinder D4/32/d20 stroke 1200		2
12	41723	Belt w400 + slats		1
13	41781	Free roller protective fastener		2
14	41740	Flexible coupling d25x2 + rubber		1
15	41787	Guard plates, assembled		1
16	42702	Finger guard		2
17	41762	Sliding plastic, telescope		1
18	41751	Free roller shaft		1
19	6288	Hydraulic motor CPM200CD		1
20	41727	Spring 20/10...64, yellow		2
21	41733	Slide bearing D27xd24...25		4
23	T603M1025	Carriage bolt M10x25 DIN603 Zn		22
24	T934M10	Hexagonal nut M10 A2 DIN934 Aisi		10
25	T985M10	Locking nut M10 DIN985 Zn		4
26	41712	Cylinder clamp		2
27	41755	Flying buttress, middle plate		1
28	41761	Flying buttress, upper slide		1
29	41764	Upper clamp		1
30	41765	Cylinder distribution plate		2
31	41770	Sliding plastic		4
32	41891	Hinge shell d20-31		2
33	41705	Pin bolt M10 L180		2
34		DIN_EN_24017-M10x25		4
35	24017-M8x20	Hexagon head screw, full threaded, M8x20	M8x20	3
36	6205	Bearing d25_D52_B15	d25_D52_B15	2
37	HS72030808	Angled nipple R1/2" 90		2
38		DIN_601-M16x70		2
39		DIN_601-M20x65		2
40		DIN_6926-M16		4
41		DIN_EN_24014-M20x100		2
42	24017-M10x20	Hexagon head screw, full threaded, M10x20	M10x20	22
43		DIN_913-M16x40		2
44	24017-M16x45	Hexagon head screw, full threaded, M16x45	M16x45	2
45		DIN_EN_ISO_10511-M10		23
46		DIN_EN_ISO_10511-M16		1
47		DIN_EN_ISO_10511-M20		4
48	41793	Hinge bolt M24		2
49	41744	Motor stand		1
50	24017-M12x35	Hexagon head screw, full threaded, M12x35	M12x35	2
51		DIN_EN_ISO_10511-M24		2
52	HS56010108	Rubber seal 1/2" USIT		2
53	HS70020808	Double nipple R 1/2"-1/2"		2
54	HS72040404	Angled nipple R1/4"uk x R1/4"uk 90°		1
55	135505	Pressure control valve RP25-12-02-A 1/2"		2
56	135507	Hydraulic line fastener 12 mm		2
57		DIN_EN_24017-M10x30		3
58	putk10mm_kiinitin			12
59	125-A10.5	Washer, flat Ø10.5 (M10)	Ø10.5 (M10)	2
60	FYTB 25 TF	Flange mounted bearing Ø25	Ø25	1
61		DIN_6912-M8x30		4
62	10511-M8	Hexagonal nut M8	M8	1
63	24017-M10x35	Hexagon head screw, full threaded, M10x35	M10x35	2
64	24017-M10x40	Hexagon head screw, full threaded, M10x40	M10x40	4

### 10.1 Discharge conveyor belt, 41723



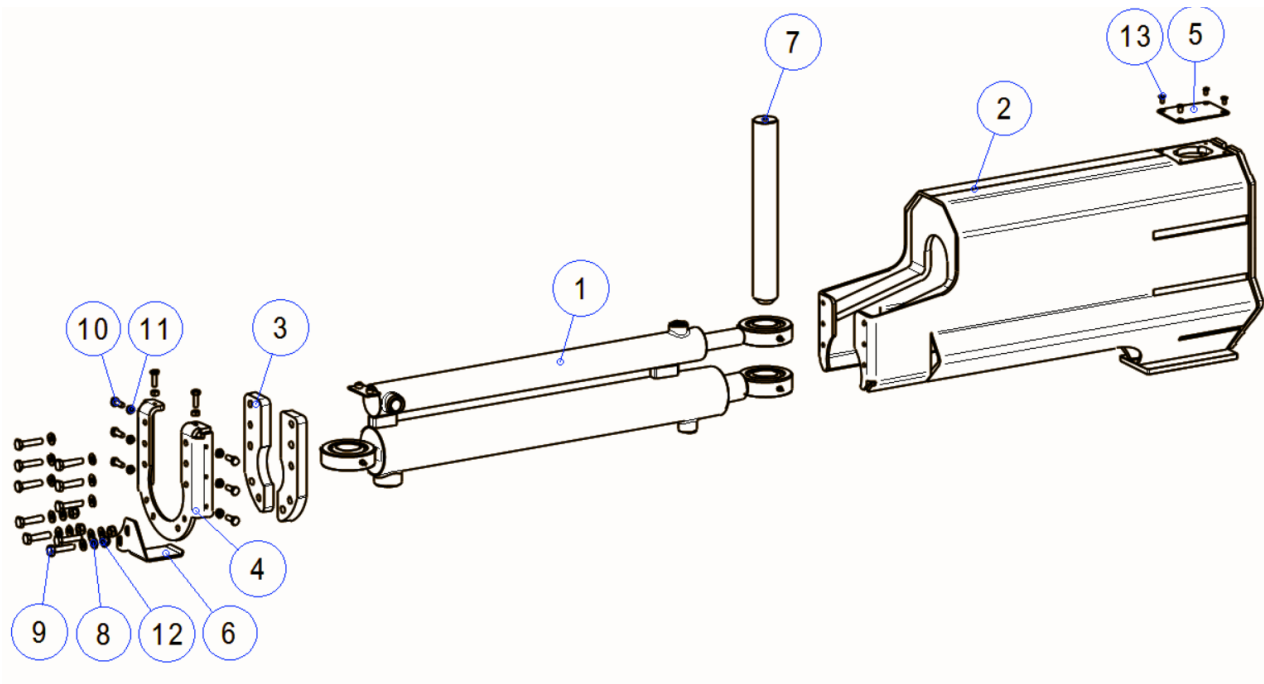
Part	Reference	Naming	Form, measures	Amount
1	41720	Belt w400, 4.6 m		1
2	41995	Rake for the conveying belt		18
3	603-M6x16	Carriage bolt	M6x16	36
4	10511-M6	Hexagonal nut	M6	36

### 10.2 Discharge conveyor lower guard



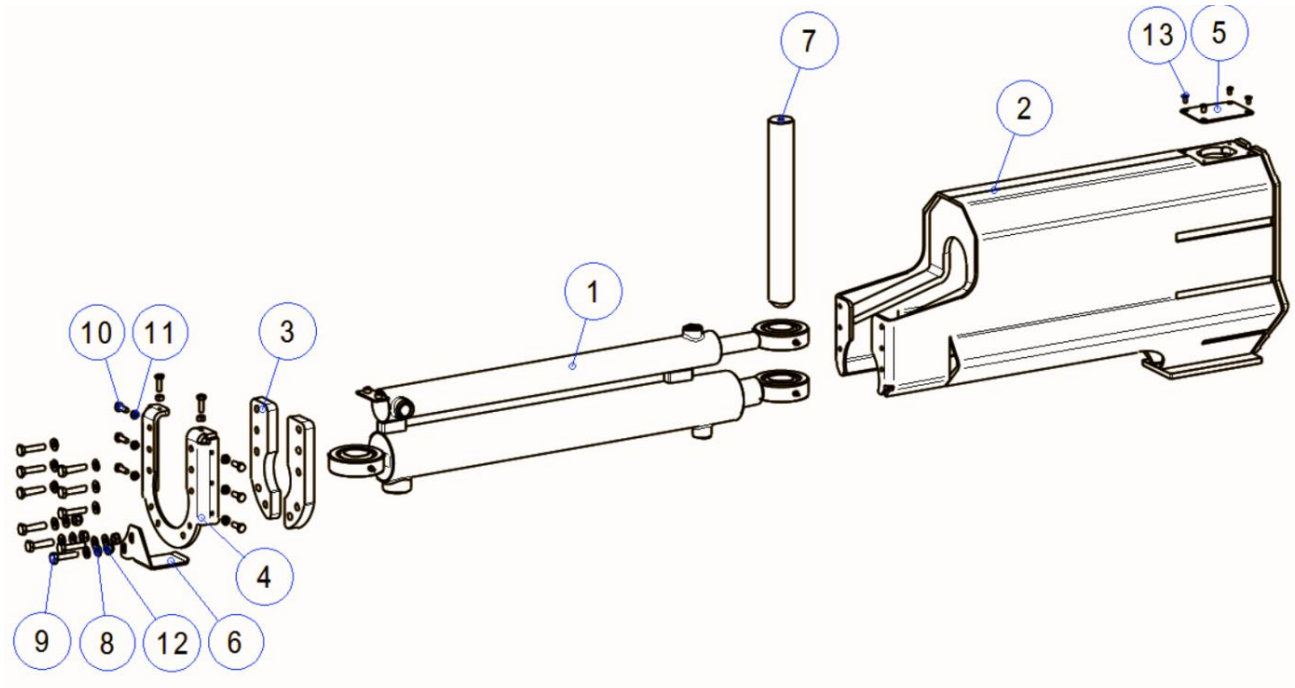
Part	Reference	Naming	Form, measures	Amount
1	41776	Lower guard plate		1
2	41777	Middle guard plate		1
3	41778	Upper guard plate		1
4	41779	Flying buttress for guard plates		4
5	41783	Upper collar		1
6	41786	Sawdust evacuation guard plate		1
7	TARR10006	SAMI Sitcker large 15 x 47.5 cm		2
8	24017-M8x20	Hexagon head screw, full threaded, M8x20	M8x20	44
9	10511-M8	Hexagonal nut M8	M8	44

## 11 Splitting piston S110-, 16783



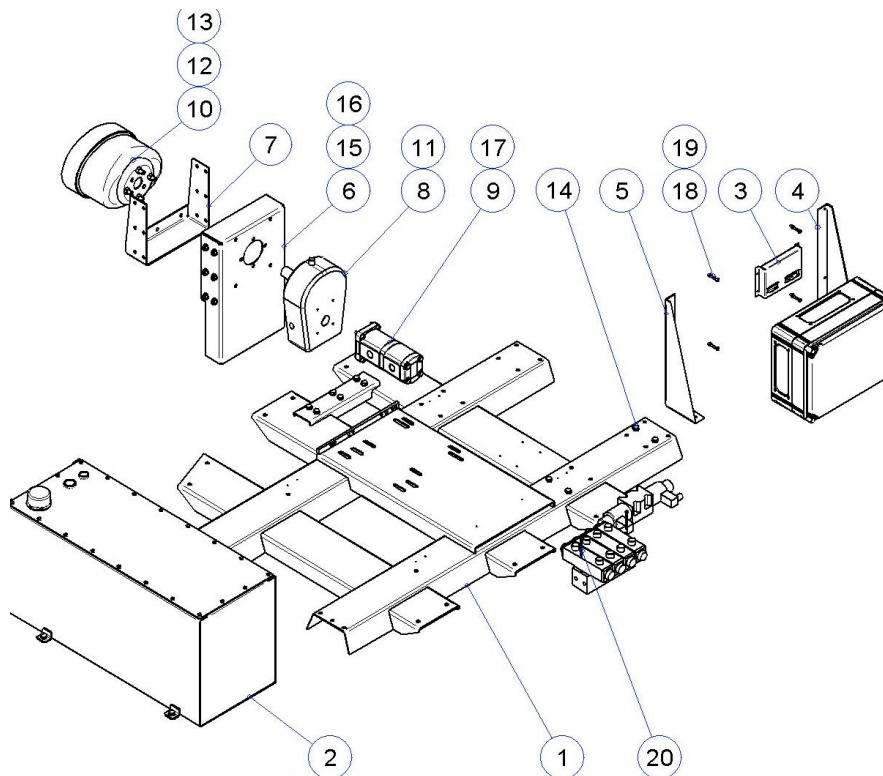
Part	Reference	Naming	Form, measures	Amount
1	16751	Tandem cylinder 80/50 + 50/30		1
2	16777	Body, splitting piston		1
3	16785	Plastic slide, splitting piston 80/50		2
4	16774	Support collar		1
5	16776	Cover plate		1
6	16780	Sensor identification plate		1
7	16667	Pin, cylinder		1
8		Washer	DIN_125-A10.5	14
9		Hexagon head screw, partially threaded, M10x45	DIN_EN_24014-M10x45	10
10		Hexagon socket countersunk screw, full treaded, M8x25	DIN_EN_24017-M8x25	8
11		Nut M8	DIN_EN_24032-M8	8
12		Nyloc nut M10	DIN_EN_ISO_10511-M10	4
13		Hexagon socket countersunk screw, countersunk head, M6x12	DIN_EN_ISO_10642-M6x12	4

## 12 Splitting piston S185-, 16782



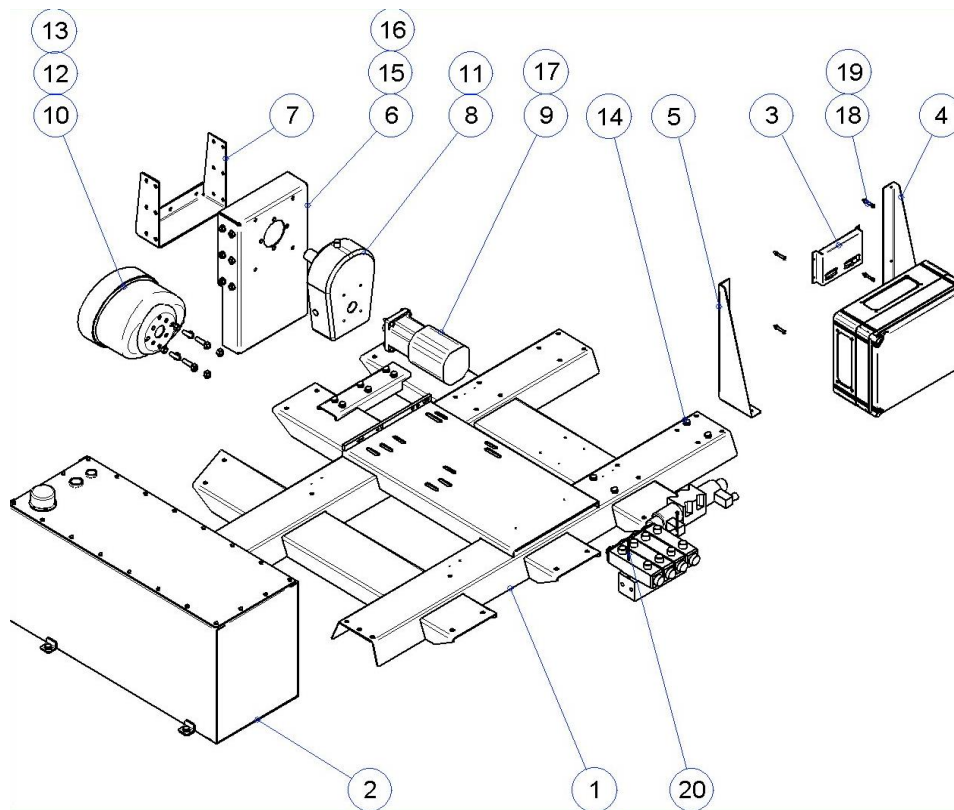
Part	Reference	Naming	Form, measures	Amount
1	16749	Tandem cylinder 100/60 + 50/30		1
2	16777	Body, splitting piston		1
3	16773	Plastic slide, splitting piston 100/60		2
4	16774	Support collar		1
5	16776	Cover plate		1
6	16780	Sensor identification plate		1
7	16667	Pin, cylinder		1
8		Washer	DIN_125-A10.5	14
9		Hexagon head screw, partially threaded, M10x45	DIN_EN_24014-M10x45	10
10		Hexagon socket countersunk screw, full treaded, M8x25	DIN_EN_24017-M8x25	8
11		Nut M8	DIN_EN_24032-M8	8
12		Nyloc nut M10	DIN_EN_ISO_10511-M10	4
13		Hexagon socket countersunk screw, countersunk head, M6x12	DIN_EN_ISO_10642-M6x12	4

### 13 Component base S110-TC440, 60621



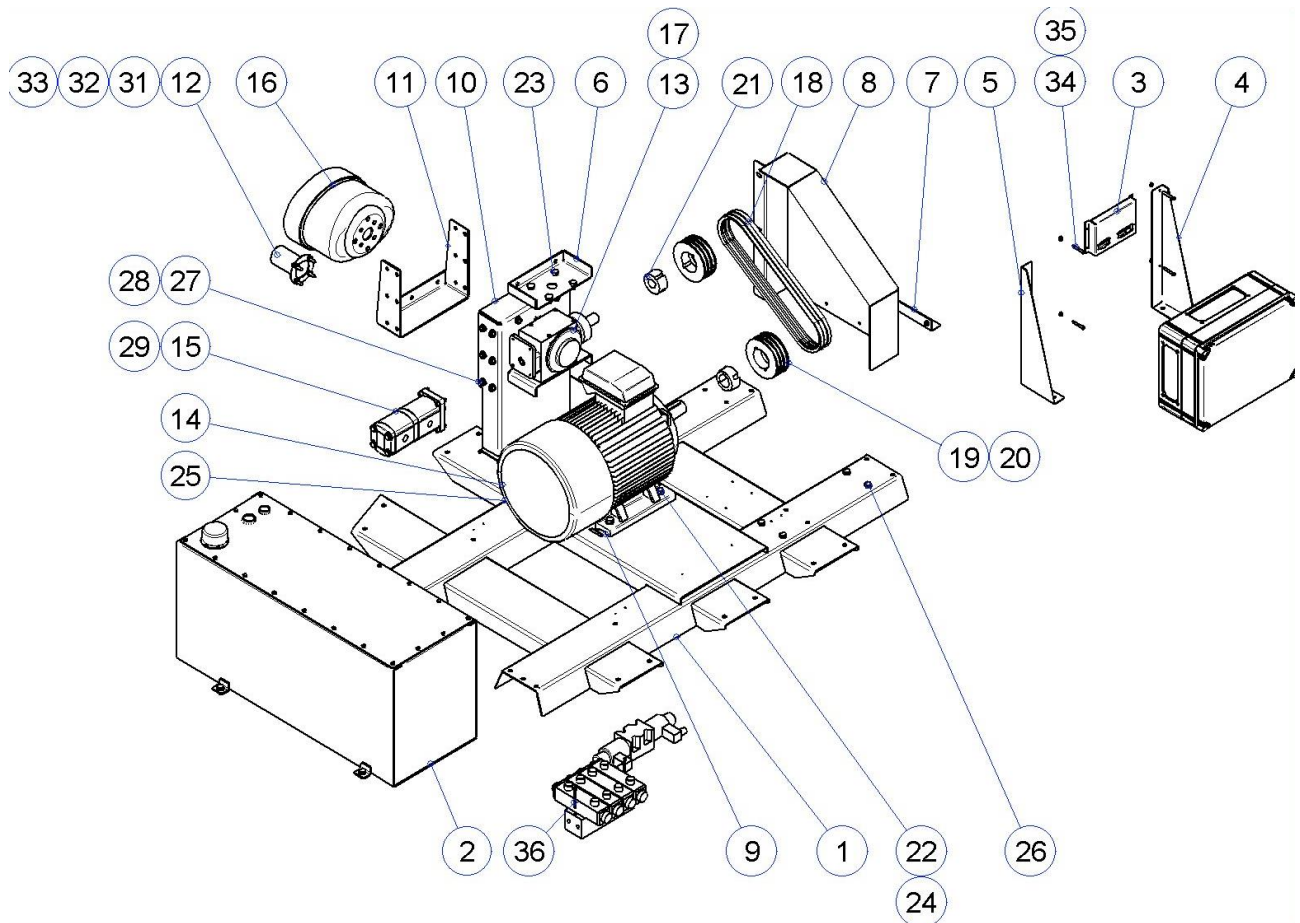
Part	Reference	Naming	Standard	Form, measures	Amount
1	60591	Component base frame		1539x1225x124	1
2	41387	Oil tank, assembled, 115 L			1
3	41442	Circuit board casing KP for the switchboard			1
4	60571	Switchboard mounting plate		44x140x434	1
5	60595	Switchboard mounting plate		44x140x434	1
6	60609	Vertical casing		300x90x498	1
7	60610	Gearbox support plate		291x110x250	1
8	16244	Gearbox , Bondioli MP21			1
9	60600	Hydraulic pump, S110-TC440			1
10	4811973	Drive shaft cover			1
11	41446	Sleeve socket			1
12		Socket setscrew M12x40	DIN 916	M12x40	4
13	24032-M12	Hexagonal nut M12	EN24032	M12	8
14	24017-M10x20	Hexagon head screw, full threaded, M10x20	EN24017	M10x20	26
15	24032-M10	Hexagonal nut M10	EN24032	M10	12
16	125-A10.5	Washer, flat, M10	DIN125	Ø10.5 (M10)	38
17	4762-M8x30	Hexagon socket countersunk screw M8x30	ENISO4762	M8x30	4
18		Hexagon socket countersunk screw M6x40	EN 4762	M6x40	4
19	24032-M6	Hexagonal nut M6	EN24032	M6	4
20		Hexagon socket countersunk screw M5x70	EN 4762	M5x70	2

### 14 Component base S185-TC440, 60622



Part	Reference	Naming	Standard	Form, measures	Amount
1	60591	Component base frame		1539x1225x124	1
2	41387	Oil tank, assembled, 115 L			1
3	41442	Circuit board casing KP for the switchboard			1
4	60571	Switchboard mounting plate		44x140x434	1
5	60595	Switchboard mounting plate		44x140x434	1
6	60609	Vertical casing		300x90x498	1
7	60610	Gearbox support plate		291x110x250	1
8	16244	Gearbox , Bondioli MP21			1
9	60611	Hydraulic pump, S185-TC440			1
10	4811973	Drive shaft cover			1
11	41446	Sleeve socket			1
12		Socket setscrew M12x40	DIN 916	M12x40	4
13	24032-M12	Hexagonal nut M12	EN24032	M12	8
14	24017-M10x20	Hexagon head screw, full threaded, M10x20	EN24017	M10x20	26
15	24032-M10	Hexagonal nut M10	EN24032	M10	12
16	125-A10.5	Washer, flat, M10	DIN125	Ø10.5 (M10)	38
17	4762-M8x30	Hexagon socket countersunk screw M8x30	ENISO4762	M8x30	4
18		Hexagon socket countersunk screw M6x40	EN 4762	M6x40	4
19	24032-M6	Hexagonal nut M6	EN24032	M6	4
20		Hexagon socket countersunk screw M5x70	EN 4762	M5x70	2

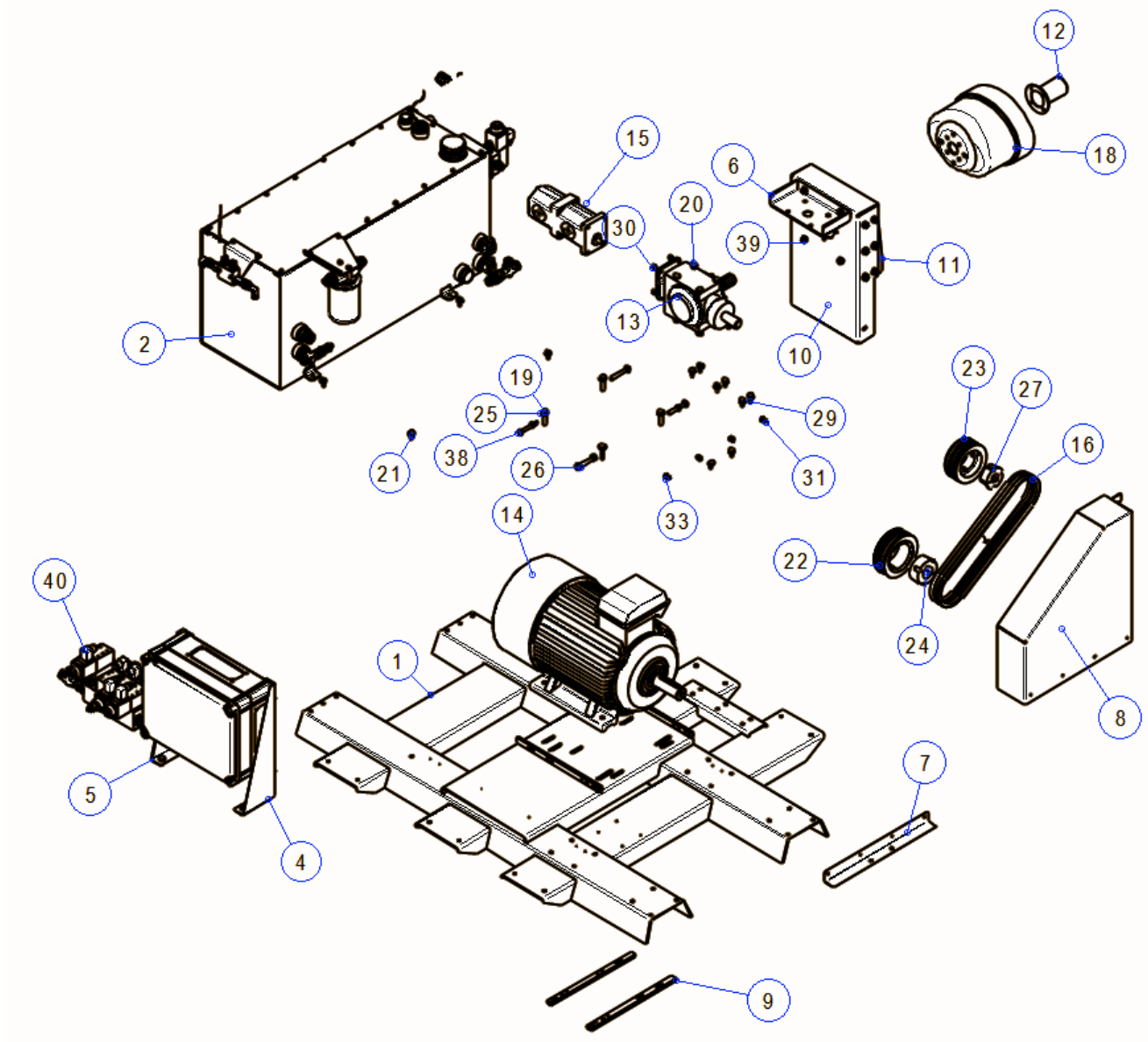
**15 Component base S110-TEC440, 60624**





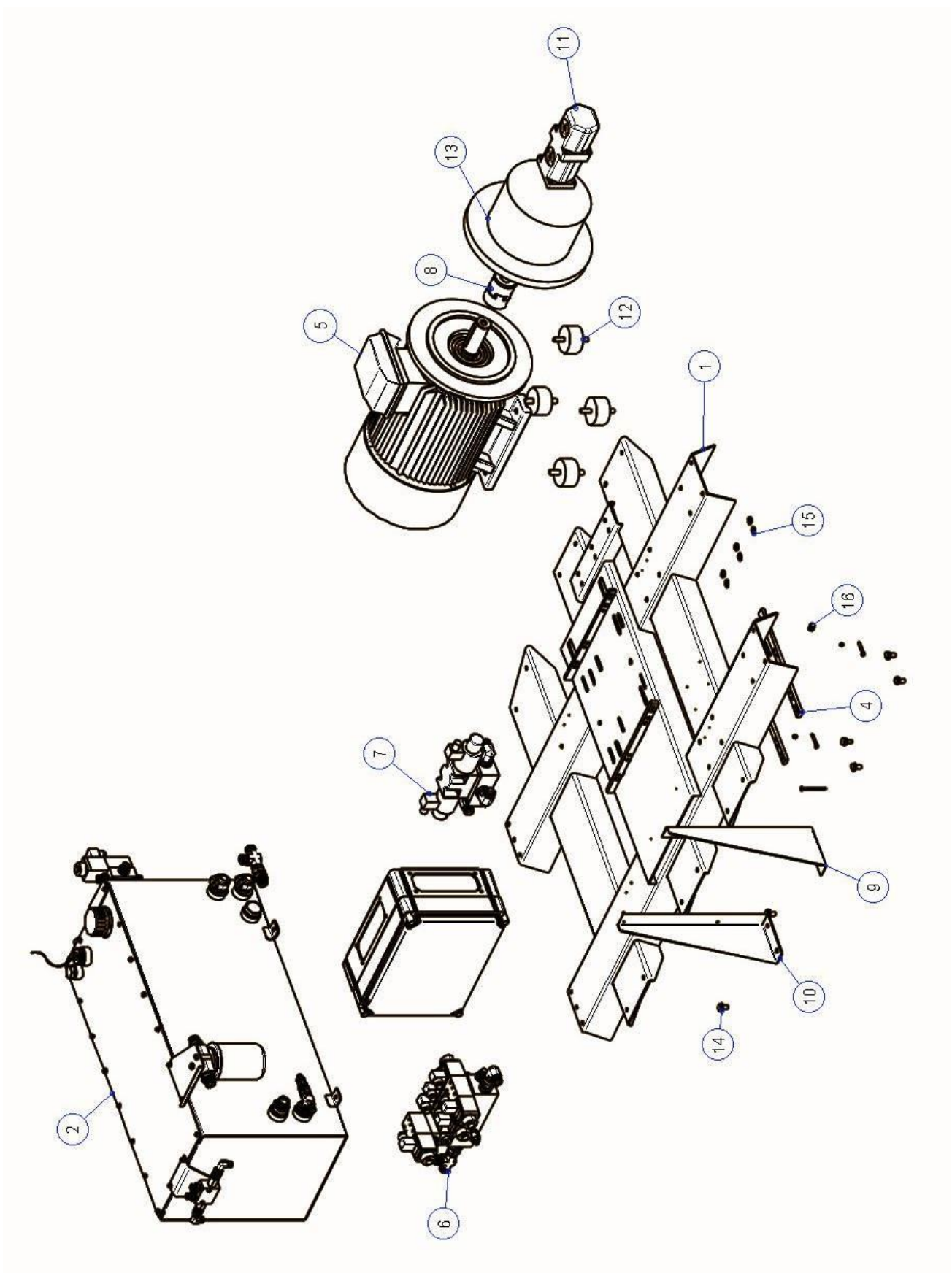
Part	Reference	Naming	Standard	Form, measures	Amount
1	60591	Component base frame		1539x1225x124	1
2	41387	Oil tank, assembled, 115 L			1
3	41442	Circuit board casing KP for the switchboard			1
4	60571	Switchboard mounting plate		44x140x434	1
5	60595	Switchboard mounting plate		44x140x434	1
6	60597	Mounting bracket		236x120x38	2
7	60598	Protective casing mounting support			1
8	60601	Protective casing		123x513x498	1
9	60626	Screw plate			2
10	60609	Vertical casing		300x90x498	1
11	60610	Gearbox support plate		291x110x250	1
12	16448	Protective casing angle gear drive shaft			1
13	16232	Angle gear, Bondioli 2021			1
14	60590	Electric motor 11 kW-1500			1
15	60600	Hydraulic pump S110-TEC440			1
16	4811973	Drive shaft cover			1
17	41445	Sleeve socket			1
18	60579	V-belt XPA 1120 Ld			3
19	60613	V-belt drive pulley SPA 125/3			2
20	60616	Conical sleeve			1
21	60614	Conical sleeve			1
22	24014-M12x45	Hexagon head screw, partially threaded, M12x45	EN24014	M12x45	4
23	24017-M12x16	Hexagon head screw, full threaded, M12x16	EN24017	M12x16	8
24	125-A13	Washer, flat, M10, Ø13 (M12)	DIN125	Ø13 (M12)	4
25	24017-M10x70	Hexagon head screw, full threaded, M10x70	EN24017	M10x70	2
26	24017-M10x20	Hexagon head screw, full threaded, M10x20	EN24017	M10x20	32
27	24032-M10	Hexagonal nut M10	EN24032	M10	18
28	125-A10.5	Washer, flat, M10, Ø10.5 (M10)	DIN125	Ø10.5 (M10)	48
29	4762-M8x30	Hexagon socket countersunk screw M8x30	ENISO4762	M8x30	4
30	24017-M8x12	Hexagon head screw, full threaded, M8x12	EN24017	M8x12	4
31		Set screw M8x40	DIN 914	M8x40	4
32	24032-M8	Hexagonal nut M8	EN24032	M8	12
33	125-A8.4	Washer, flat, M10, Ø8.4 (M8)	DIN125	Ø8.4 (M8)	4
34		Hexagon socket countersunk screw M6x40	EN 4762	M6x40	4
35	24032-M6	Hexagonal nut M6	EN24032	M6	4
36		Hexagon socket countersunk screw M5x70	EN 4762	M5x70	2

**16 Component base S185-TEC440, 60625**



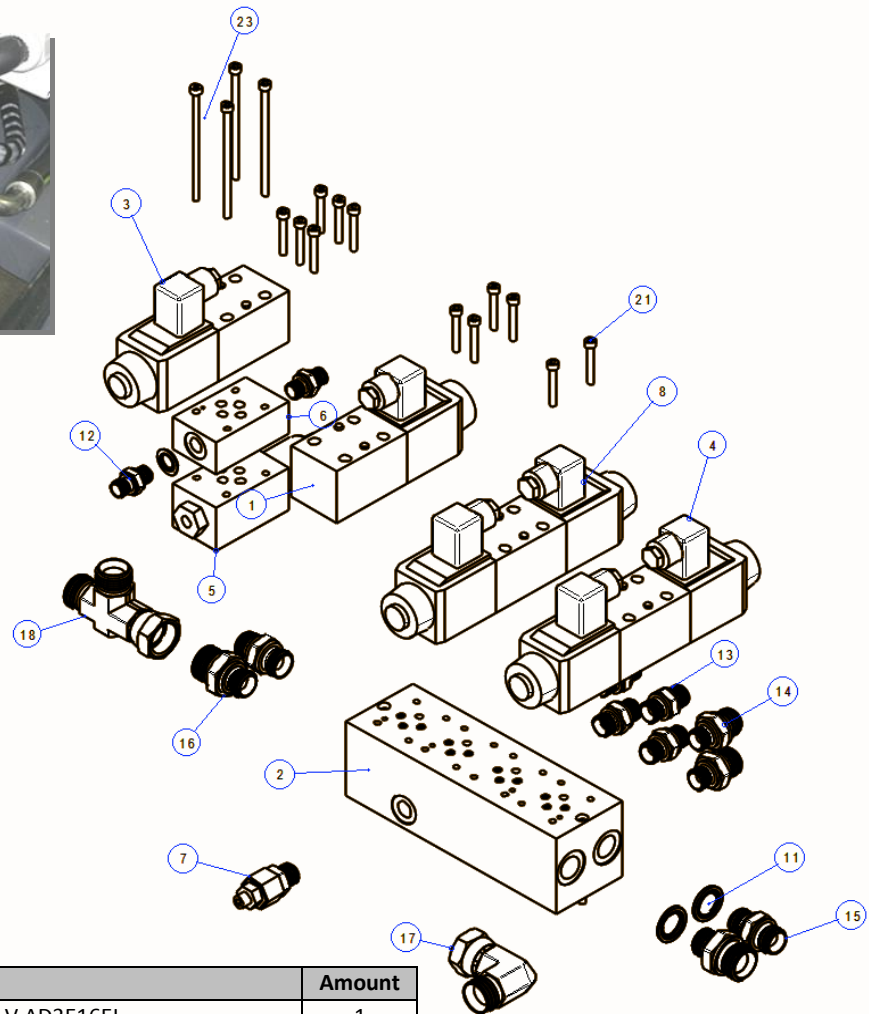
Part	Reference	Naming	Standard	Form, measures	Amount
1	60591	Component base frame		1539x1225x124	1
2	41387	Oil tank, assembled, 115 L			1
3	41442	Circuit board casing KP for the switchboard			1
4	60571	Switchboard mounting plate		44x140x434	1
5	60595	Switchboard mounting plate		44x140x434	1
6	60597	Mounting bracket		236x120x38	2
7	60598	Protective casing mounting support			1
8	60601	Protective casing		123x513x498	1
9	60626	Screw plate			2
10	60609	Vertical casing		300x90x498	1
11	60610	Gearbox support plate		291x110x250	1
12	16448	Protective casing angle gear drive shaft			1
13	16232	Angle gear, Bondioli 2021			1
14	60589	Electric motor 15 kW-1500			1
15	60611	Hydraulic pump W2E25+20C043			1
16	60579	V-belt			3
17	41445	Sleeve socket			1
18	4811973	Drive shaft cover			1
19	24014-M12x45	Hexagon head screw, partially threaded, M12x45	EN24014	M12x45	4
20	24017-M12x16	Hexagon head screw, full threaded, M12x16	EN24017	M12x16	8
21	24017-M10x20	Hexagon head screw, full threaded, M10x20	EN24017	M10x20	32
22	60617	V-belt drive pulley			1
23	60613	V-belt drive pulley			1
24	60618	Conical sleeve			1
25	125-A13	Washer, flat, M10, Ø13 (M12)	DIN125	Ø13 (M12)	4
26	24017-M12x70	Hexagon head screw, full threaded, M12x70		M12x70	3
27	60614	Conical sleeve			1
28	24032-M12	Hexagonal nut M12	EN24032	M12	1
29	125-A10.5	Washer, flat, M10, Ø10.5 (M10)	DIN125	Ø10.5 (M10)	48
30	4762-M8x30	Hexagon socket countersunk screw M8x30	ENISO4762	M8x30	4
31	24017-M8x12	Hexagon head screw, full threaded, M8x12	EN24017	M8x12	4
32		Set screw M8x40	DIN 914	M8x40	4
33	24032-M8	Hexagonal nut M8	EN24032	M8	12
34	125-A8.4	Washer, flat, M10, Ø8.4 (M8)	DIN125	Ø8.4 (M8)	4
35		Hexagon socket countersunk screw M6x40	EN 4762	M6x40	4
36	24032-M6	Hexagonal nut M6	EN24032	M6	4
37		Hexagon socket countersunk screw M5x70	EN 4762	M5x70	2
38	24017-M10x70	Hexagon head screw, full threaded, M10x70	EN24017	M10x70	1
39	24032-M10	Hexagonal nut M10	EN24032	M10	18
40	60580	Valve block 4 cetop 3 valves			1

**17 Component base S185-EC440, 60619**



Part	Reference	Naming	Standard	Form, measures	Amount
1	60591	Component base frame		1539x1225x124	1
2	41387	Oil tank, assembled, 115 L			1
3	41442	Circuit board casing KP for the switchboard			1
4	60626	Threaded washer			2
5	60592	Electric motor			1
6	60580	Valve block 4 cetop 3 valves			1
7	60581	Valve cetop 5 splitting			1
8	60648	Flexible coupling			1
9	60571	Switchboard mounting plate		44x140x434	1
10	60595	Switchboard mounting plate		44x140x434	1
11	60650	HP-pump 3SPA22DK&3SPA29DK			1
12	135606	Motor foot			4
13	60649	Intermediate flange B5 with fittings			1
14	24017-M10x20	Hex screw, full thread	EN24017	M10x20	8
15	125-A10.5	Washer, flat	DIN125	Ø10.5 (M10)	14
16	24017-M8x12	Hex screw, full thread	EN24017	M8x12	1
17	24032-M8	Hex nut	EN24032	M8	1
18		Allen screw	EN 4762	M6x40	4
19	24032-M6	Hex nut	EN24032	M6	4
20		Allen screw	EN 4762	M5x70	2

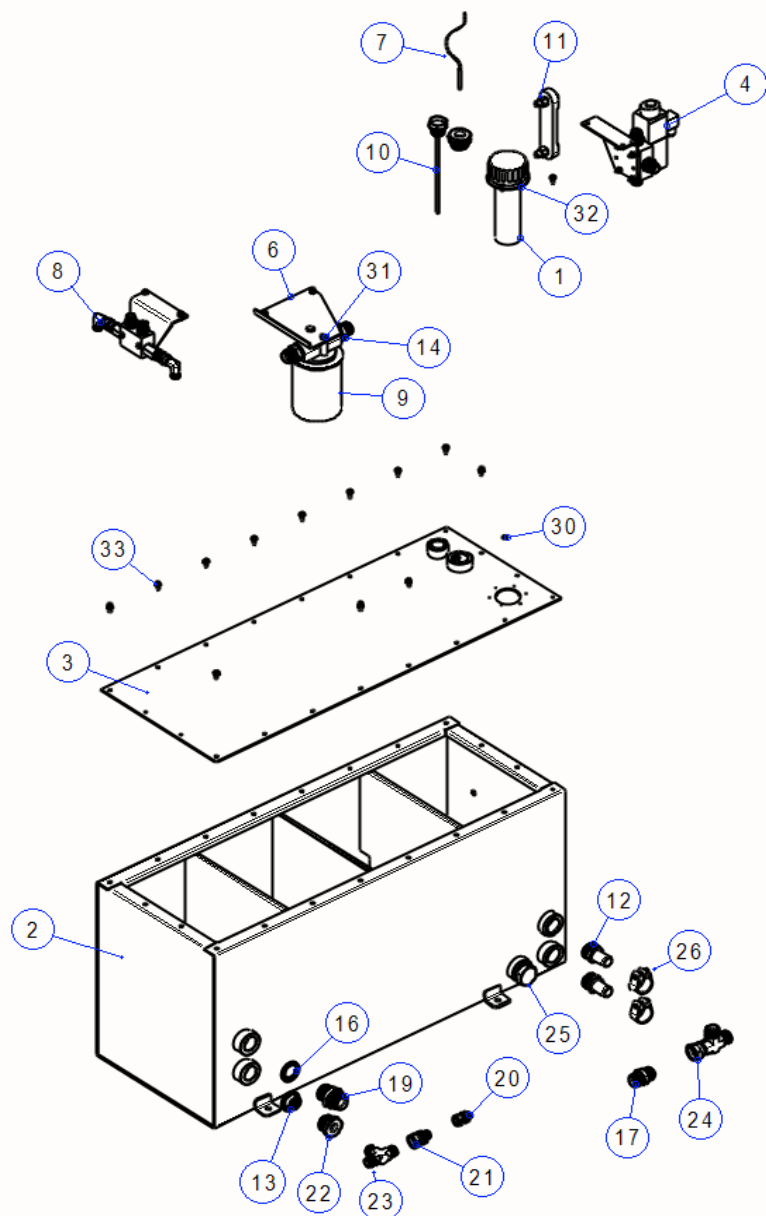
## 18 Hydraulic block components, 60580



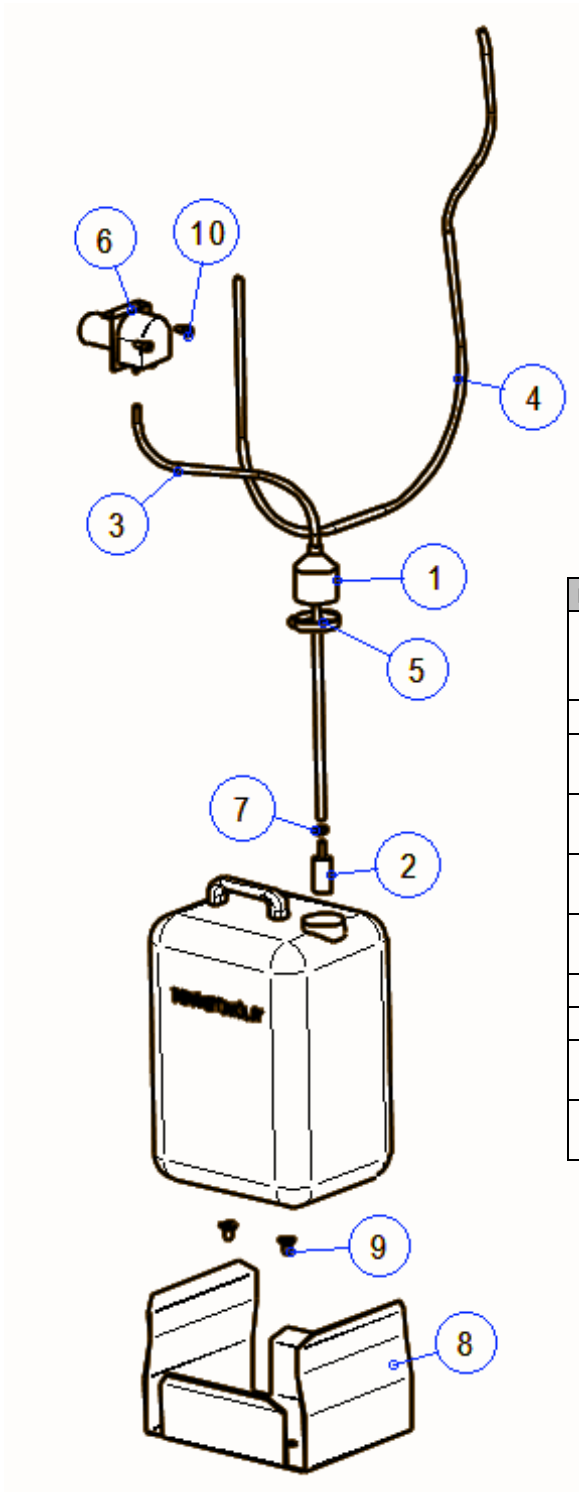
Part	Reference	Naming	Amount
1	16700	Electric valve 12 V AD3E16EL	1
2	16701	Base plate EZ 148EAM233/4X3F	1
3	16702	Directional valve 4/3 (replaces 16700)	1
4	16703	Electric valve AD3E14CL Cetop 3	1
5	16706	Pressure reducing valve VRN-06/MA-10S	1
6	16707	Intermediate plate EB303	1
7	16713	Safety cartridge Block Rexroth	1
8	6292	Directional valve 4/3 AD3E01CL	1
9	HS56010104	Rubber steel washer R1/4" USIT	2
10	HS56010106	Rubber steel washer R3/8" USIT	8
11	HS56010108	Rubber steel washer R1/2" USIT	4
12	HS70020404	Double nipple R1/4"-R1/4"	2
13	HS70020606	Double nipple R3/8"uk x R3/8"uk	6
14	HS70020608	Double nipple R3/8"uk x R1/2"uk	2
15	HS70020808	Double nipple R1/2"-1/2"	2
16	HS70020812	Double nipple R1/2"-R3/4"	2
17	HS72031212	Angle nipple R3/4"uk x R3/4"sk 90°taott	1
18	HS74041212	T-nipple adjustable R3/4"uk x sk x uk T	1
20	T906M1415	Screw cap M14x1.5	1
21	T912M535	Hex screw M5x35 12.9	12
22	T912M570	Hex screw M5x70 12.9	2
23	T912M5100	Hex screw M5x100 12.9 (110)	4

## 19 Oil tank components, 41387

Part	Reference	Naming	Amount
1	16039	Cap, oil tank OMT TR2-463198	1
2	41388	Oil tank, welded	1
3	41389	Cover, welded	1
4	41643	Feed conveyer reverse	1
5	41649	Hydraulic oil ISO VG 32, 115 L	1
6	41654	Oil filter holder	1
7	41451	Temperature sensor TEKY NTC 10	1
8	60583	Lock valve KP for the discharge conveyer	1
9	6289	Oil filter OMTI05ANR	1
10	6329	Breather with dipstick G3/4" for temp. sensor	1
11	6332	Level indicator LO 3020/LG2	1
12	HS50741616	Tubing extension R1"uk 1" MS	2
13	HS56010108	Rubber steel washer R1/2" USIT	1
14	HS56010112	Rubber steel washer R3/4" USIT	3
16	HS56010116	Rubber steel washer R1" USIT	5
17	HS70021212	Double nipple R3/4"uk x R3/4"uk	3
19	HS70021616	Double nipple R1"uk x R1"uk	1
20	HS70080406	Coupling nipple R1/4"uk x R3/8"sk	1
21	HS70080608	Coupling nipple R3/8"uk x R1/2"sk	1
22	HS70171608	Nipple RSI R1"uk x R1/2"sk	2
23	HS74010808	T-nipple R1/2"uk x uk x uk T	1
24	HS74041212	T-nipple adjustable R3/4"uk x sk x uk T	1
25	75010016/S	Cap R1"uk	2
26	HS55650035	Hose clamp 20-1 32-35 mm	2
30	T125M6	Washer, flat	20
31	T933M816	Hex screw, full thread	2
32	T912M510	Allen screw M5x10	7
33	T912M612	Allen screw	19



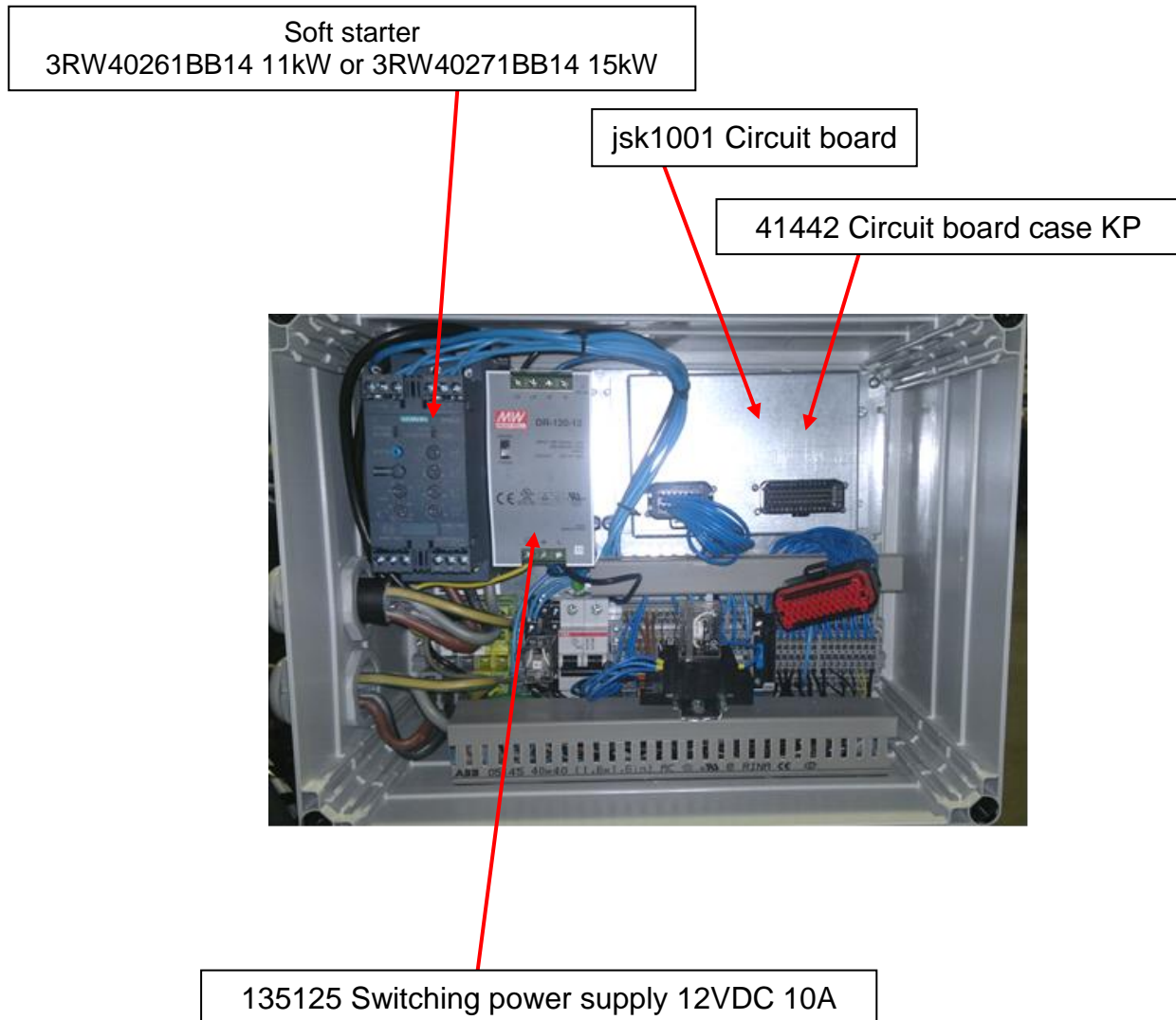
## 20 Saw chain lubrication unit

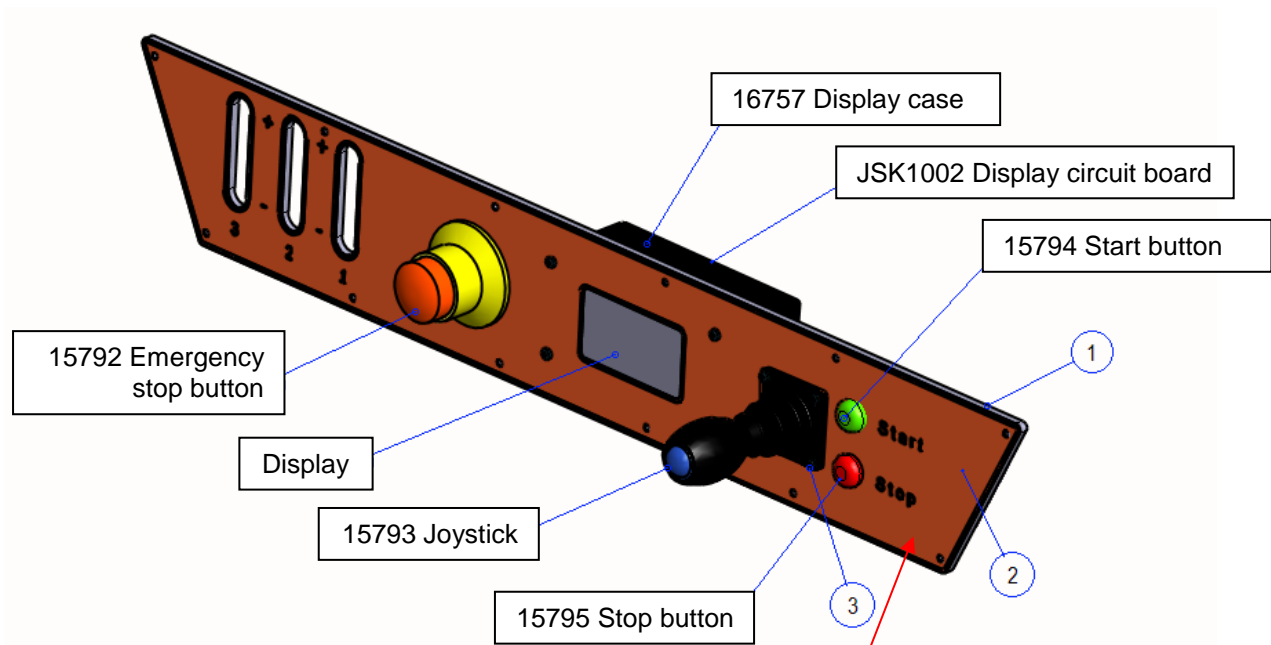


Part	Reference	Naming	Form, measures	Amount
1	16044	Rubber cap Monark Ø50, for the oil canister		1
2	16513	Strainer Arag 305008		1
3	16518	Plastic pipe Ø12.5/Ø9 - 580 mm		1
4	16521	Plastic pipe Ø12.5/Ø9 - 1570 mm		1
5	16522	Hose clamp 38-50 mm		1
6	16534	Oil pump GP2/160/N4,8/24VDC		1
7	370023	Hose clamp		1
8	60607	Oil canister casing	196x243x163	1
9	10642- M10x16	Allen screw	M10x16	2
10		Allen screw	DIN_EN_ISO_4762- M6x14	2



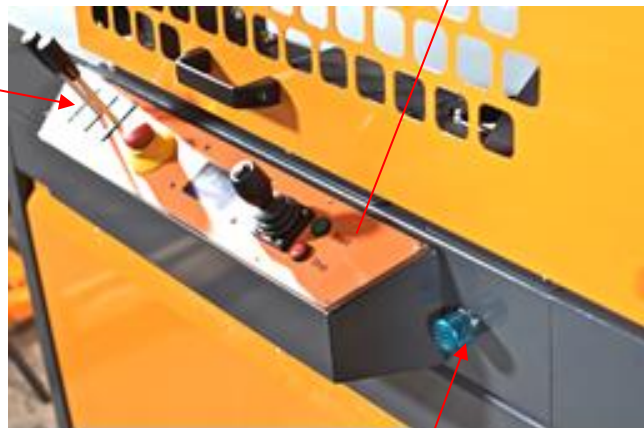
## 21 Electrical and control components





Part	Reference	Naming	Form, measures	Amount
1	16461	Plexiglass cover, control panel		1
2	16525	Sticker, control panel		1
3	T7985M320	Cross-headed screw	M3x20	8

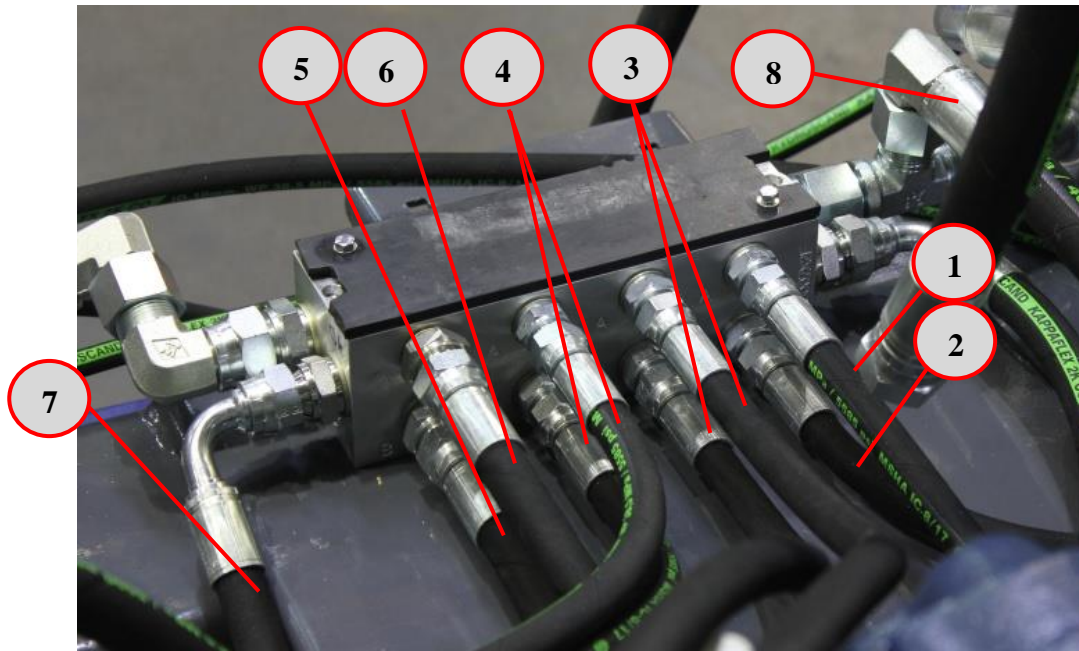
16375  
Block + lever



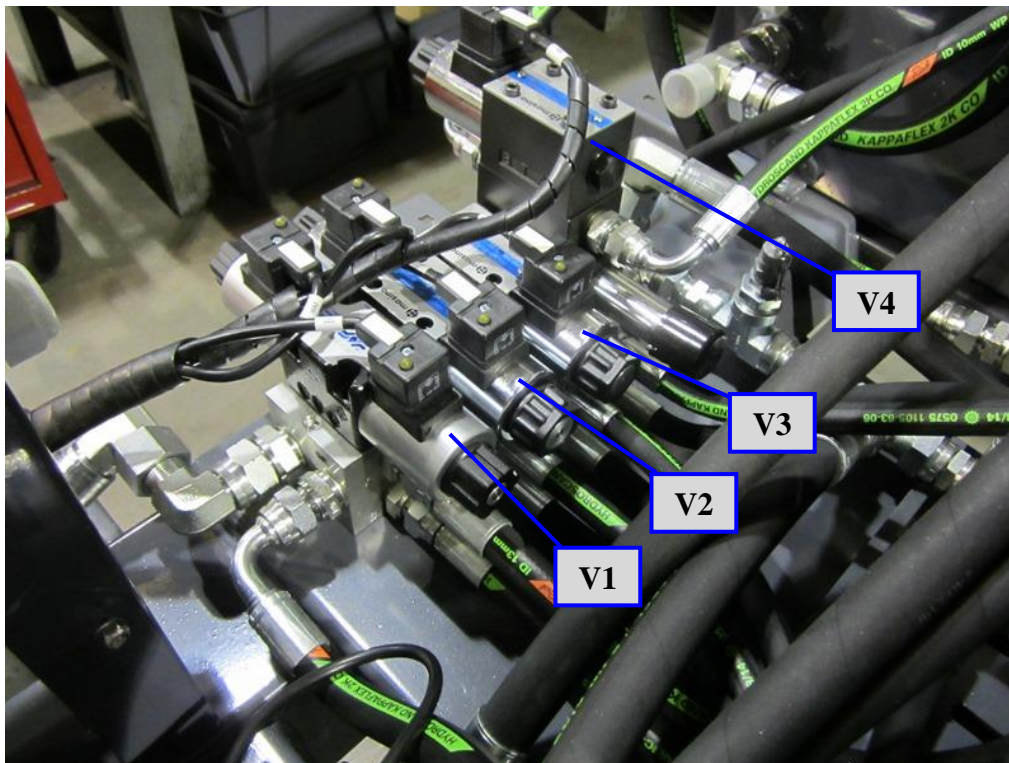
6290 Resistance return valve FPSU 3/8"

## 20 Hydraulic hoses and valves

### 20.1 Valve block hoses (all models)



(Valve block base plate)

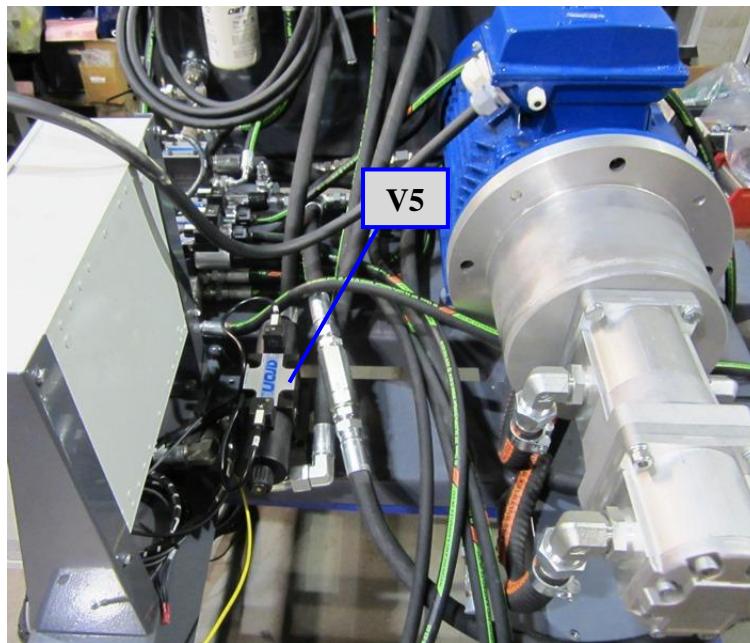
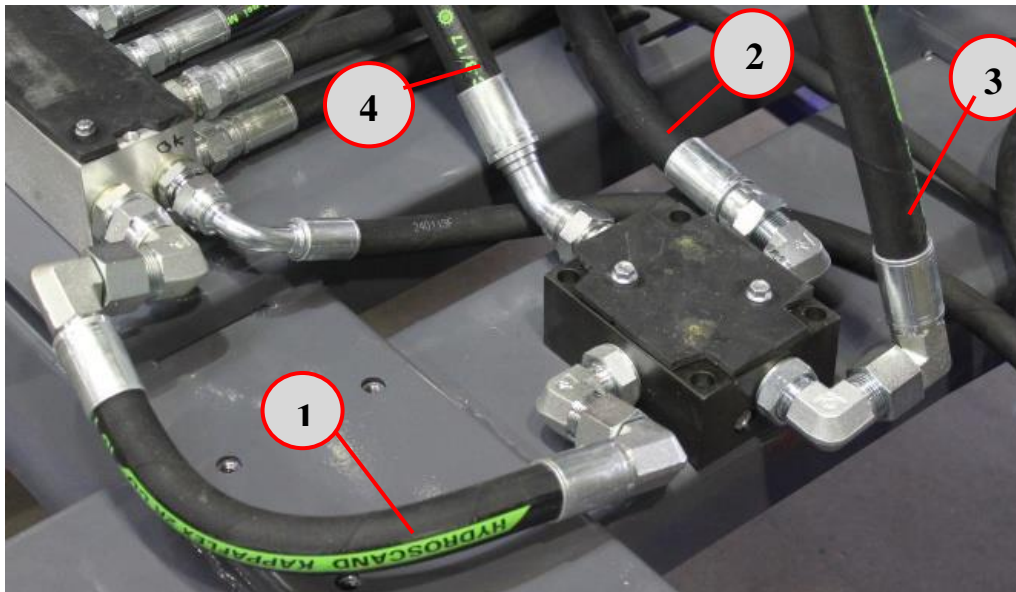


(Complete block)

### Valve block hoses and valves

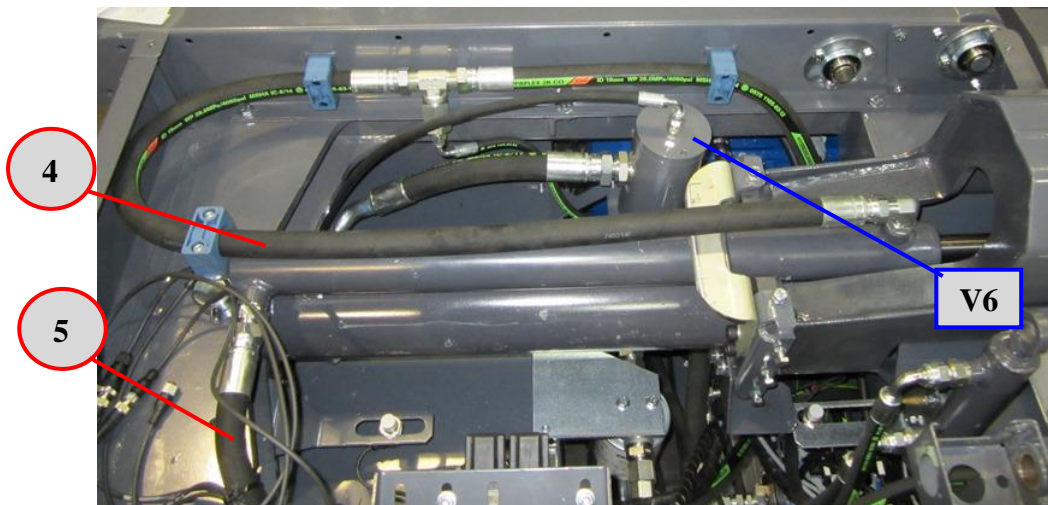
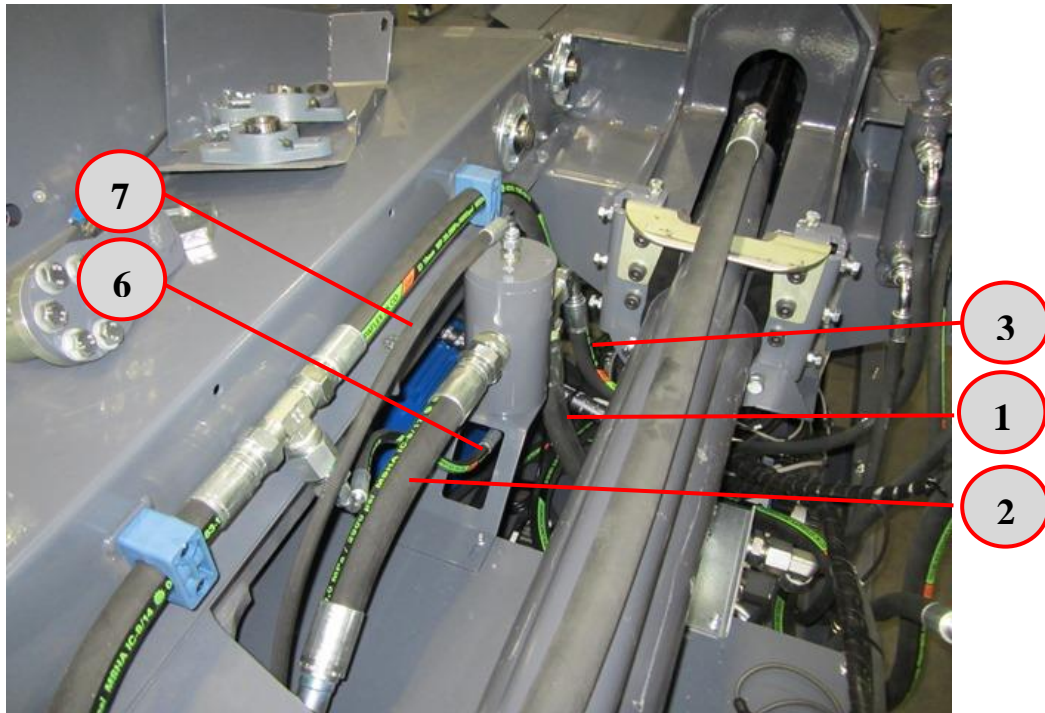
Part	Reference	∅	Length (cm)	Head	Location
1	HL3/8-1650	3/8"	165	Straight - 90°	From block to saw bar lift cylinder
2	HL3/8-1350	3/8"	135	Straight - 90°	From block to saw bar speed adjuster (lower)
3	HL3/8-1450 x2	3/8"	145	Straight - 90°	From block to wood pusher
4	HL3/8-1000 x2	3/8"	100	Straight - 90°	From block to splitting wedge lift cylinder
5	HL1/2-1300	1/2"	130	Straight - Suora	From block to valve kit P
6	HL1/2-1100	1/2"	110	Straight - Suora	From block to saw motor T-fork
7	HL1/2-1400	1/2"	140	90° - 90°	From block to discharge conveyor motor
8	HL3/4-750	3/4"	75	Straight - 90°	Saw and feed conveyor return to block's T-fork
9	HL1/2-700	1/2"	70	Straight - 90°	From T-fork to discharge conveyor motor
10	HL3/8-2300	3/8"	230	Straight - 90°	From saw bar speed adjuster to saw bar lift cylinder
11	HL3/8-1700	3/8"	170	Straight - Straight	From regulating valve to log lifter
12	HL3/8-1350	3/8"	135	Straight - 90°	From regulating valve to log lifter
13	HL3/8-650	3/8"	65	90° - 90°	From block to wood presser
14	HL3/8-600	3/8"	60	90° - 90°	From block to wood presser
15	HL1/4-140	1/4"	14	45° - 90°	Splitting wedge pressure limiter intermediate hose
V1	16703				Aron
V2	6292				
V3	16700				
V4	16700 (k)				(to spindle rotation)

## 20.2 Splitting valve hoses (all models)



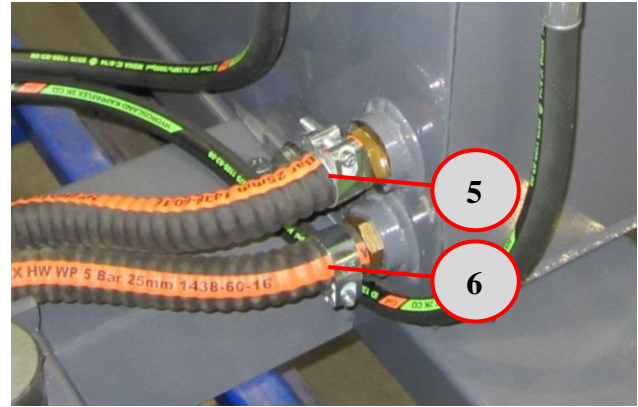
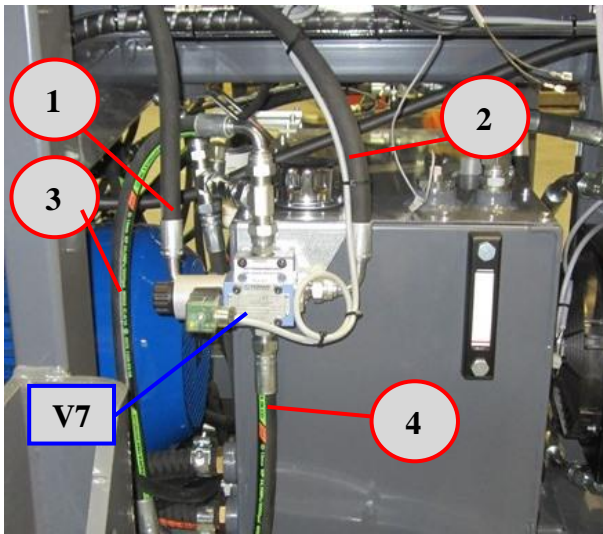
Part	Reference	Ø	Length (cm)	Head	Location
1	HL3/4-300	3/4"	30	90° - 90°	Cetop 5 T to block T
2	HL3/4-1500	3/4"	150	Straight - 90°	Cetop 5 P to control valve
3	HL3/4-1250	3/4"	125	Straight - 90°	Cetop 5 B to splitting cylinder T-fork
4	HL3/4-1000	3/4"	100	Straight - 45°	Cetop 5 A to monitoring valve
V5	6302				AD5E04C

### 20.3 Lock valve hoses (all models)



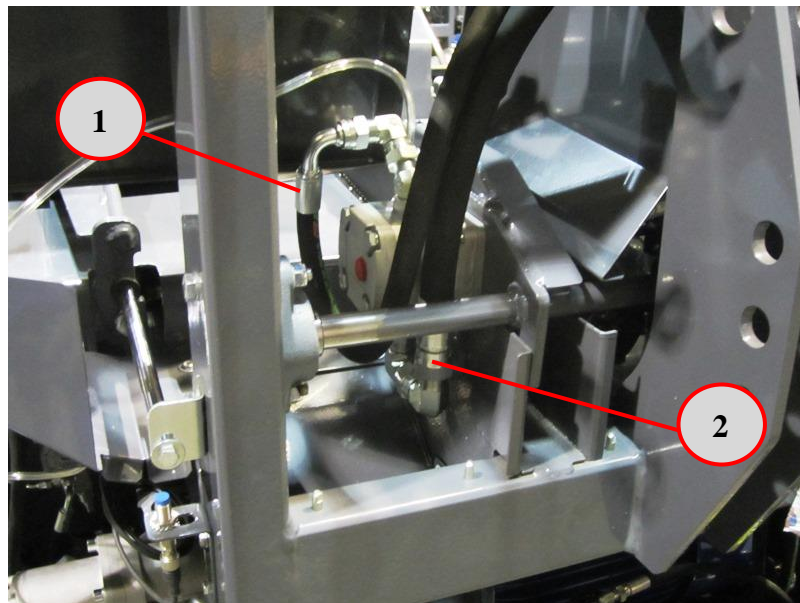
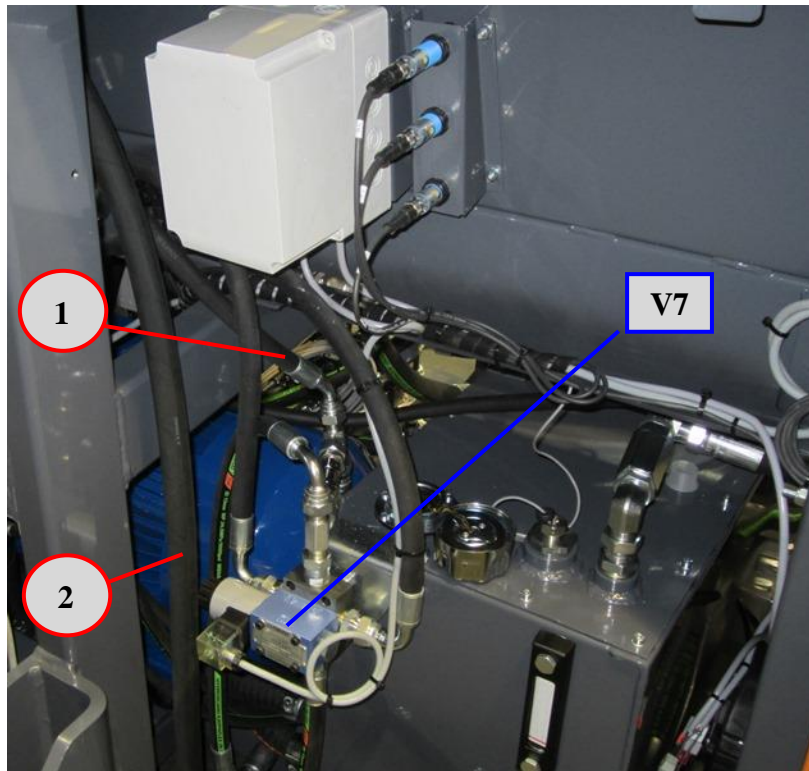
Part	Reference	Ø	Length (cm)	Head	Location
1	HL1/1-450	1"	45	Straight - 90°	Lock valve to oil tank
2	HL1/1-285	1"	28,5	Straight - 90°	Lock valve to bigger splitting cylinder
3	HL3/4-340	3/4"	34	Straight - 1" 90°	Lock valve to bigger splitting cylinder
4	HL3/4-1100	3/4"	110	Straight - 90°	T-fork to smaller splitting cylinder
5	HL3/4-270	3/4"	27	Straight - Straight	Monitoring valve to smaller splitting cylinder
6	HL1/4-450	1/4"	45	Straight - 90°	Splitting cylinder T-fork to lock valve
7	HL1/4-810	1/4"	81	Straight - 90°	Lock valve to monitoring valve
V6	41680				Lock valve

## 20.4 Feed conveyor hoses and other models' suction hoses



Part	Reference	Ø	Length (cm)	Head	Location
1	HL1/2-630	1/2"	63	Straight - 90°	Reverse valve A to feed conveyor motor
2	HL1/2-730	1/2"	73	Straight - 90°	Reverse valve B to feed conveyor motor
3	HL1/2-510	1/2"	51	90° - 3/4" Straight	Reverse valve T to return hose's T-fork
4	HL1/2-1300	1/2"	130	Straight - Straight	Block to reverse valve P
5	HL1-550	25 mm	55		Hydraulic pump suction hose (TEC)
6	HL1-400	25 mm	40		Hydraulic pump suction hose (TEC)
5	HL1-600	25 mm	60		Hydraulic pump suction hose (TC)
6	HL1-550	25 mm	55		Hydraulic pump suction hose (TC)
5	HL1-1200	25 mm	120		Hydraulic pump suction hose (EC)
6	HL1-1030	25 mm	103		Hydraulic pump suction hose (EC)
V7	16700				4WE6D-6X/EG12NZ4 (30w, 12V)

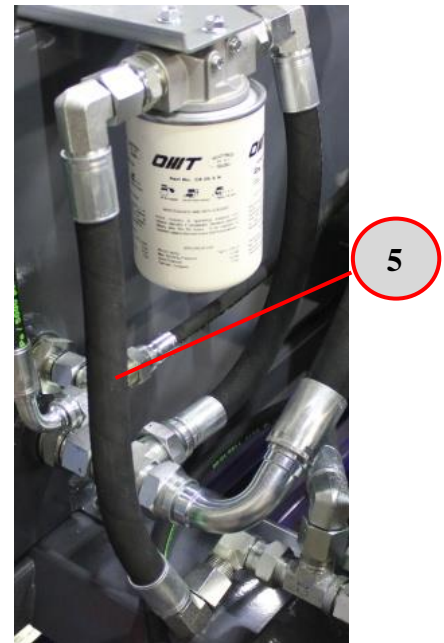
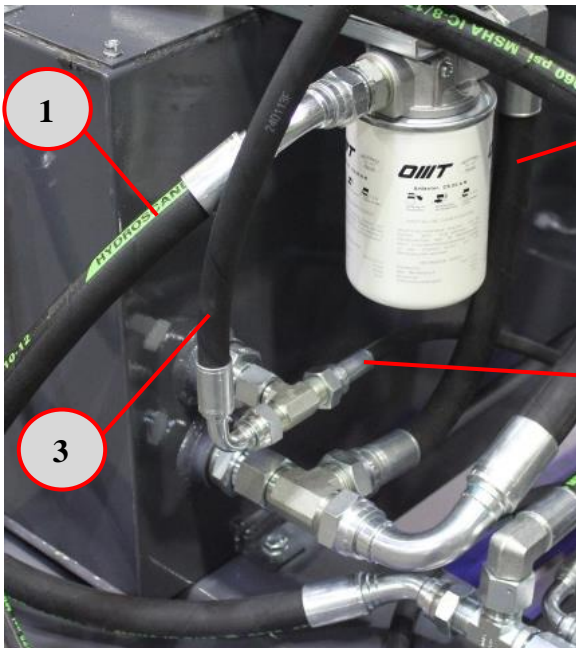
## 20.5 Chainsaw hoses



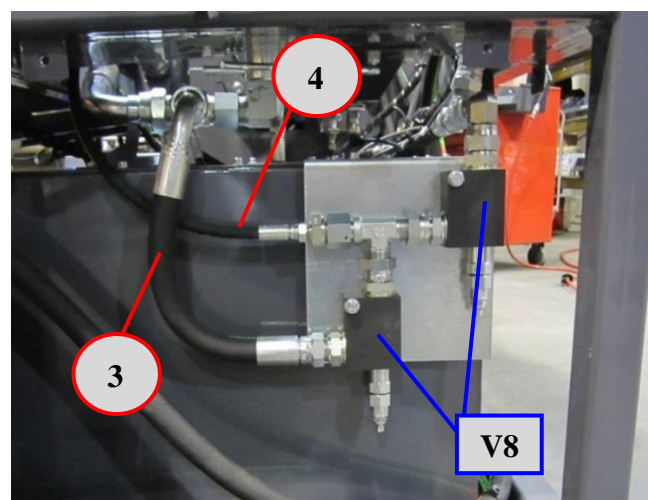
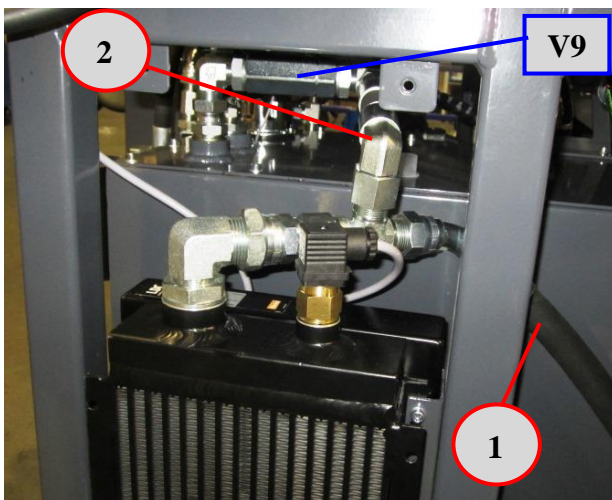
Part	Reference	Ø	Length (cm)	Head	Location
1	HL1/2-1450	1/2"	145	Straight - 90°	Feed hose to chainsaw motor
2	HL3/4-1600	3/4"	160	Straight - 90°	From return chainsaw motor
V7	16700				4WE6D-6X/EG12NZ4 (30w, 12V)



## 20.6 Oil cooler and oil filter hoses

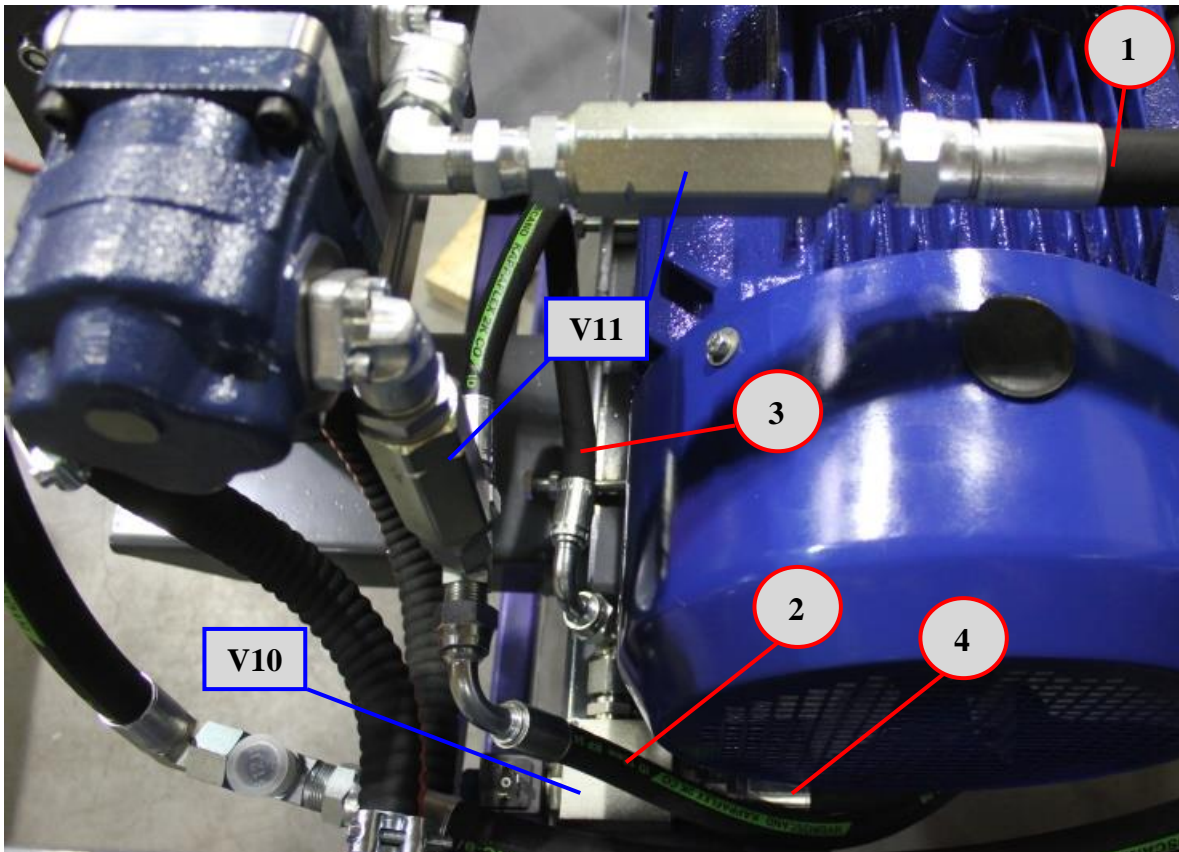


Part	Reference	∅	Length (cm)	Head	Location
1	HL3/4-1300	3/4"	130	45° - 90°	Oil cooler to filter
2	HL3/4-350	3/4"	35	90° - 1" Straight	Filter to oil tank
3	HL1/2-480	1/2"	48	Straight - 90°	Regulating valve to oil tank
4	HL1/4-1800	1/4"	180	90° - 1/2" Straight	Discharge conveyor motor to oil tank
5	HL3/4-320	3/4"	32	90° - 90°	Block to oil filter (if no oil cooler)



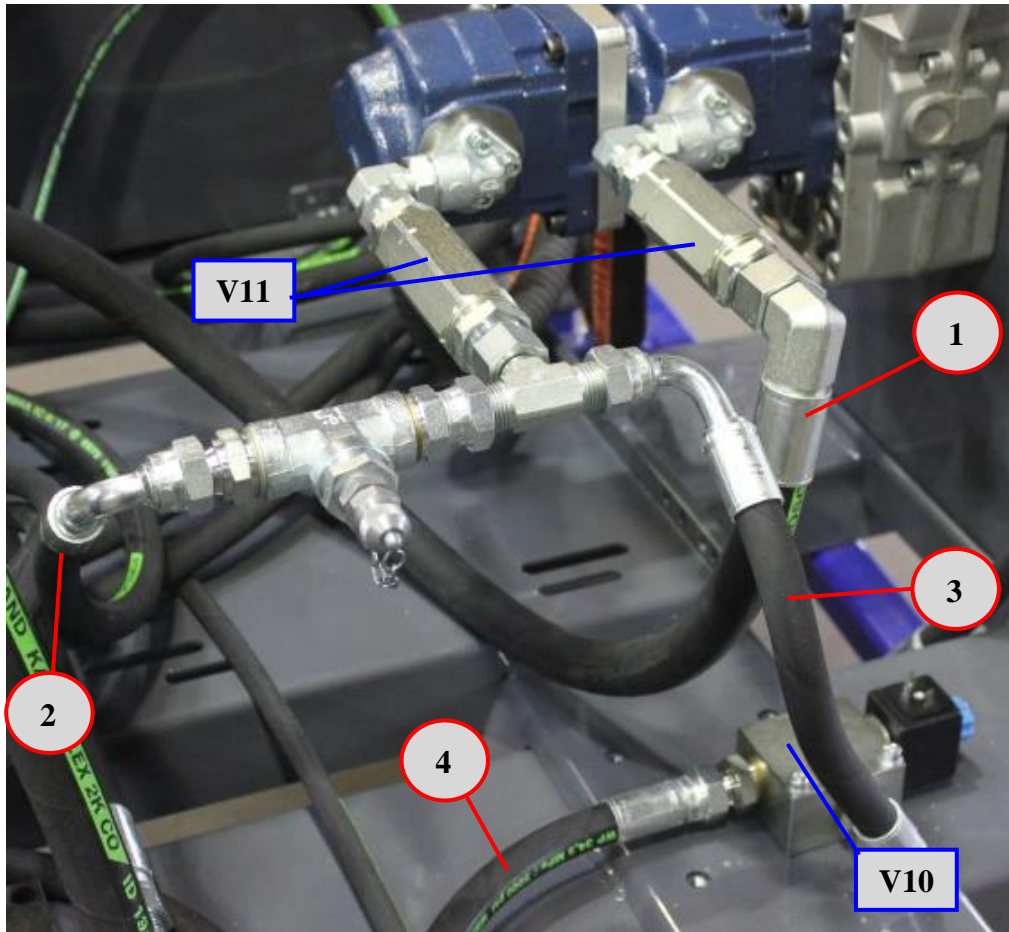
Part	Reference	∅	Length (cm)	Head	Location
1	HL3/4-1250	3/4"	125	45° - 45°	Block to oil cooler
2	HL3/4-110	3/4"	11	Straight - 90°	Oil cooler to oil tank
3	HL3/4-280	3/4"	28	Straight - 1" 90°	Monitoring valve to bigger splitting cylinder
4	HL1/4-810	1/4"	81	Straight - 90°	Lock valve to monitoring valve
V8	41657 ja 41658				Monitoring valve
V9	FPR 3/4 5				Non-return valve (5 bar)

## 20.7 Hydraulic pump and LS-valve hoses (TEC)



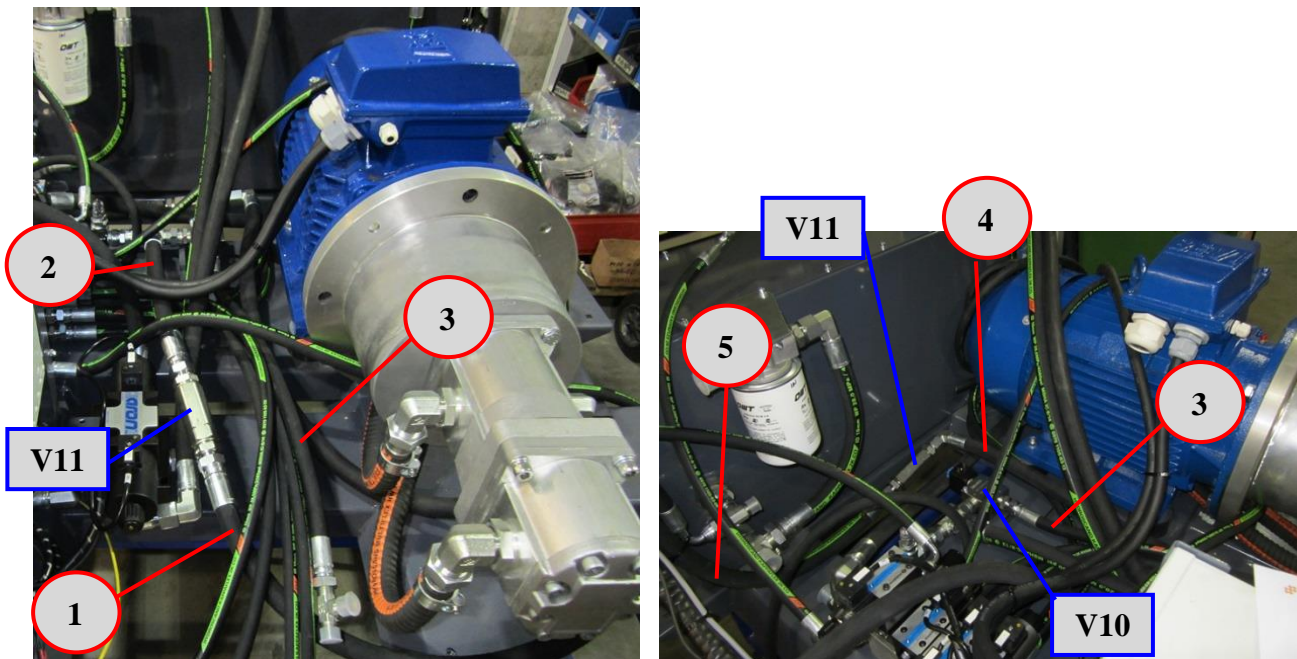
Part	Reference	∅	Length (cm)	Head	Location
1	HL3/4-900	3/4"	90	Straight - 90°	Hydraulic pump to regulating valve
2	HL1/2-600	1/2"	60	Straight - 90°	Hydraulic pump's T-fork to block's P1
3	HL1/2-400	1/2"	40	Straight - 90°	Hydraulic pump's T-fork to LS-valve
4	HL1/2-1800	1/2"	180	Straight - 90°	LS-valve to discharge conveyor motor
V10					LS-valve (drilling 2.5 mm)
V11	FPR 3/4				Non-return valve

## 20.8 Hydraulic pump and LS-valve hoses (TC)



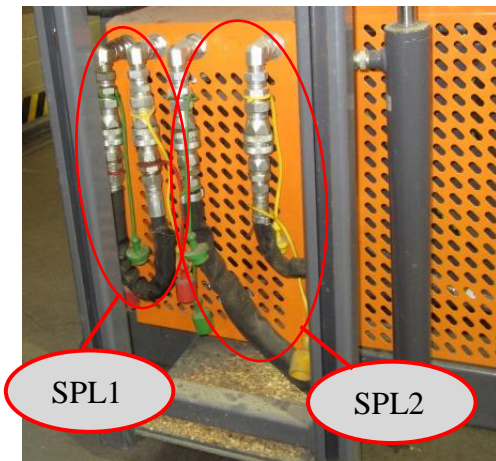
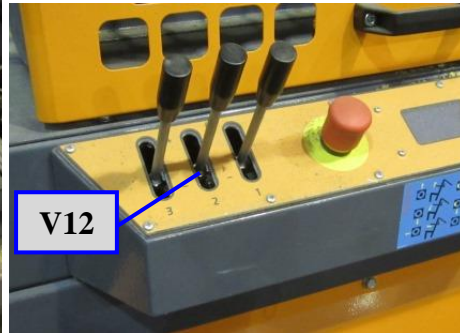
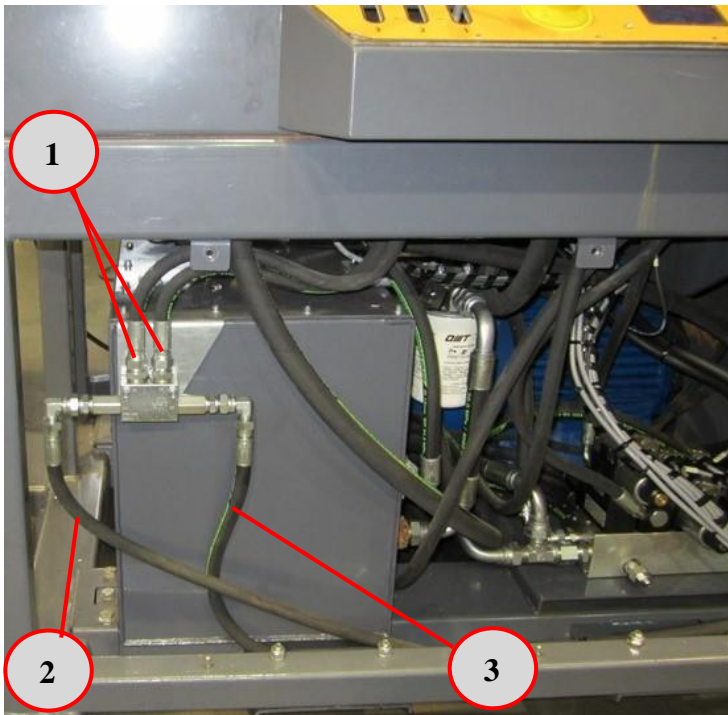
Part	Reference	Ø	Length (cm)	Head	Location
1	HL3/4-1600TC	3/4"	160	90° - 90°	Hydraulic pump to regulating valve
2	HL1/2-800TC	1/2"	80	90° - 90°	Hydraulic pump's T-fork to block's P1
3	HL1/2-250TC	1/2"	25	90° - 90°	Hydraulic pump's T-fork to LS-valve
4	HL1/2-1300TC	1/2"	130	Straight - 90°	LS-valve to discharge conveyor motor
V10					LS-valve (drilling 2.5 mm )
V11	FPR 3/4				Non-return valve

## 20.9 Hydraulic pump and LS-valve hoses (EC)



Part	Reference	Ø	Length (cm)	Head	Location
1	HL3/4-600EC	3/4"	60	Straight - Straight	Hydraulic pump to non-return valve
2	HL3/4-320EC	3/4"	32	Straight - Straight	Non-return valve to LS-valve's T-fork
3	HL1/2-600EC	1/2"	60	Straight - Straight	LS-valve to T-fork
4	HL3/4-1000EC	3/4"	100	Straight - 90°	Hydraulic pump to non-return valve
5	HL3/4-1000EC	3/4"	100	Straight - 90°	Non-return valve to regulating valve
V10					LS-valve (drilling 2.5 mm)
V11	FPR 3/4				Non-return valve

## 21 Hydraulic system options



Part	Reference	Ø	Length (cm)	Head	Location
SPL 1	HL1/2-750	1/2"	75	Straight - 90°	Reverse valve A to connector
SPL 1	HL1/2-780	1/2"	78	Straight - 90°	Reverse valve B to motor
SPL 1	HL1/2-1050	1/2"	105	Straight - Straight	Motor to valve
	HL1/4-2200	1/4"	220 x 2	Straight - Straight	Sideways rotation hoses
SPL 2		1/2"	105 and 80	Straight - Straight	Supplementary hydraulic
SPL 2		1/2"	100 and 60	Straight - Straight	Supplementary hydraulic
1	HL3/8-350 x 2	3/8"	35	Straight - Straight	Regulating valve to discharge conveyor lock valve
2	HL1/4-2340	1/4"	234	Straight - 90°	Lock valve to discharge conveyor
3	HL1/4-2100	1/4"	210	Straight - 90°	Lock valve to discharge conveyor
V12					Regulating valve

## 22 Splitting wedge models

